



Triride[®]
by Gianni Conte

#PowerDevice
#HandBike
#WheelchairAccessories

The invention...

Triride is an electric powertrain that transforms the manual wheelchair into a powerful scooter, simply by attaching and removing it if necessary in a few seconds.

The invention was born from Gianni Conte's idea of equipping his wheelchair with a device to significantly increase his autonomy even on challenging routes.

The new born Triride is an innovative aid, highly technological right from the start, which shows already from its prototype characteristics not present on other products available on the market, such as extreme lightness, compact and captivating design and last but not least such traction. to be able to tackle even difficult routes and significant slopes. After having therefore designed and built the first device to meet their personal needs, requests from acquaintances and friends with the same needs arrive and the first mini-production begins, created with the help of inseparable partner Marta Nunez.

Shortly thereafter, the demand is such as to make it necessary to set up a company that deals with the production and marketing of the aid.



... The birth of Triride srl

The ingenuity and tenacity of a passionate and determined entrepreneur, subsequently supported by a professional staff, gave life in 2013 to Triride s.r.l., a constantly growing entrepreneurial reality that is revolutionizing the way of life of all those who use the wheelchair. .

The company's objectives have always been the same that have animated Gianni Conte since the beginning of this fantastic adventure: to create a device capable of guaranteeing maximum freedom of movement for all wheelchair users.

Work, free time, travel, sport... everything becomes easier and more fun with the Triride.

The challenges never end: continuous research and innovation characterize the entire philosophy of the company like every new model or component; many accessories are constantly designed and manufactured to expand the usability of the devices and meet all needs, so that life with the Triride becomes more exciting every day.

The company boasts numerous patents and all international quality and safety certifications, to offer products with the highest quality standards.



Power devices

01

Tribike Handbike

29

for the Wheelchair

37





Power devices



Technical specifications



Tight Turning Radius



Electronic braking



Reverse Gear



Cruise Control



Li-Ion Battery



Electronic-assisted lifting



Two Driving Modes



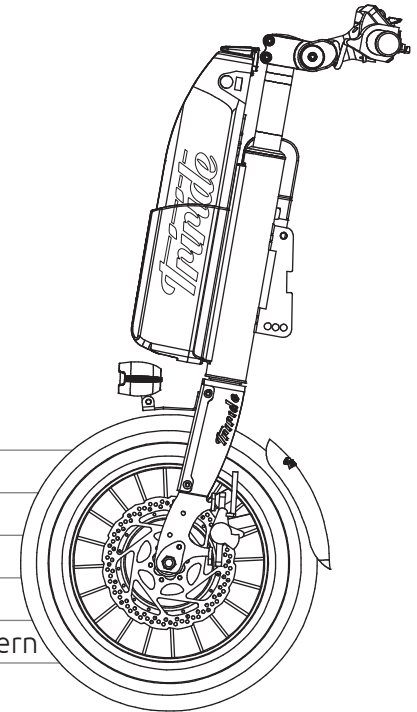
5 Power levels



Regenerative charge system



Multifunction Display



GENERAL CHARACTERISTICS

- Stainless steel frame
- Customisable electronics by Triride
- Reverse + Assisted lifting
- Cruise control
- Aluminum rim
- Electronic regenerative brake
- Disc brake
- Multifunction LCD display
- 5 selectable power levels
- Customisable frame colour or pattern

All parameters (acceleration, start, reverse, electronic brake, speed levels, anti-skid) are customisable and programmable by software.

Triwheel

For those who want to push



12"/14"/16"



Manual



4 kg⁽¹⁾

Ideal for having fun tackling downhill descents or to be used as a third wheel combined with the new Triride MTW Trekking rear traction system.



¹ Weight refers to device excluding arms for wheelchair connection.

Triride srl reserves the right to modify the models with updates and innovations and therefore the images may differ from the final product sold.



MODEL SPECIFIC FEATURES

• Transport weight ¹	from 4 kg
• Wheel size	12" / 14" / 16"
• Tyre	City or Cross
• Brake	Hydraulic disc

▣ Customisable frame colour or pattern



Kids

For the little champions!



12"



36 V



540 W



7,5 kg⁽¹⁾



up to 35 km⁽²⁾



40 Nm

Triride for the little ones derived from the Light model.

The 12" wheel and the reduced frame make it very compact and easy to handle, ideal for both indoor and outdoor spaces.

It has a maximum power of 540W limited and controlled with Made by Triride electronics.

Versatile, light, weighs just over 7 kg and provides a range up to 35 km on flat routes.



¹ Weight refers to device excluding battery and arms for wheelchair connection.

² Range refers to device with 36 V battery on a flat path at an average speed of 6 km/h (level 1) with user weight of 50 kg. Range depends on: user weight, road condition, general state of the wheelchair and tires, condition of the battery, speed and type of driving.

Triride srl reserves the right to modify the models with updates and innovations and therefore the images may differ from the final product sold.



MODEL SPECIFIC FEATURES

• Max. Power	540 W
• Torque	40 Nm
• Transport weight ¹	from 7,5 kg
• Wheel size	12"
• Cylindrical Lithium-ion battery	36 V
• Range ²	up to 35 km
• Tyre	City or Cross
• Energy saving mode	Eco Drive
• Power control and limitation via software	



- ▣ Configurable with customised advanced controls for tetraplegics.
- ▣ Customisable frame colour or pattern.

Foldable

Always at hand



12"



36 V



670 W



8,2 kg⁽¹⁾



up to 35 km⁽²⁾



40 Nm

Small, light and compact, thanks to the sophisticated Made in Triride electronics, it can tackle any type of route and is perfect indoors and for those who love travelling independently.

It allows a freedom of movement that is unmatched with other aids and, once folded, it can be transported with the dedicated trolley.

Versatile, light, compact, high performing, weighs just over 8 kg and guarantees an range of about 35 km on a flat path.



¹ Weight refers to device excluding battery and arms for wheelchair connection.

² Range refers to device with 36 V battery on a flat route at medium speed of 6 km/h (level 1) with user weight of 50 kg. Range depends on: user weight, road condition, general state of the wheelchair and tires, condition of the battery, speed and type of driving.

Triride srl reserves the right to modify the models with updates and innovations and therefore the images may differ from the final product sold.



MODEL SPECIFIC FEATURES

• Max. power	670 W
• Torque	40 Nm
• Transport weight ¹	from 8,2 kg
• Wheel size	12"
• Lithium-ion battery	36 V
• Range ²	up to 35 km
• Tyre	City or Cross
• Energy saving mode	Eco Drive



- Configurable with customised advanced controls for tetraplegics.
- Customisable frame colour or pattern.

Light

Enter the Triride World



12"/14"



36 V / 48 V



670 W / 890 W



8,5 kg⁽¹⁾



up to 50 km⁽²⁾



40 Nm

The Entry level to the Triride Range.

Perfect for interior spaces, great in outdoor spaces, allowing a unique freedom of movement, unmatched by other devices.

Versatile, light, weighs 8,5 kg¹ and guarantees an range of up to 50 km² on a flat path.



¹ Weight refers to device excluding battery and arms for wheelchair connection.

² Range refers to device with 36 V 14 Ah or 48 V 10,5 Ah battery on a flat route at medium speed of 6 km/h (level 1) with user weight of 70 kg. Range depends on: user weight, road condition, general state of the wheelchair and tires, condition of the battery, speed and type of driving.

Triride srl reserves the right to modify the models with updates and innovations and therefore the images may differ from the final product sold.



MODEL SPECIFIC FEATURES

• Max. power (with 36 V / 48 V)	670 W/890 W
• Max. torque	40 Nm
• Transport weight ¹	from 8,5 kg
• Wheel size	12" or 14"
• Lithium-ion battery	36 V or 48 V
• Range ²	up to 50 km
• Tyre	City or Cross
• Energy saving mode	Eco Drive

- Configurable with customised advanced controls for tetraplegics.
- Customisable frame colour or pattern.



Light 10"

Compact, light with great performance



10"



36 V / 48 V



670 W / 890 W



7,8 kg⁽¹⁾



up to 50 km⁽²⁾



45 Nm

The smallest wheel size of the Triride range.

Perfect in indoor spaces and capable in outdoor spaces, it allows a freedom of movement that is unmatched with other aids.

Versatile, light, weighs 7.8 kg¹ and provides a range up to 50 km² on a flat path.



¹ Weight refers to device excluding battery and arms for wheelchair connection.

² Range refers to device with 36 V 14 Ah or 48 V 10,5 Ah battery on a flat route at medium speed of 6 km/h (level 1) with user weight of 70 kg. Range depends on: user weight, road condition, general state of the wheelchair and tires, condition of the battery, speed and type of driving.

Triride srl reserves the right to modify the models with updates and innovations and therefore the images may differ from the final product sold.



MODEL SPECIFIC FEATURES

• Max. power	670 W/890 W
• Torque	45 Nm
• Transport weight ¹	from 7,8 kg
• Wheel size	10"
• Lithium-ion battery	36 V or 48 V
• Range ²	up to 50 km
• Tyre	City
• Energy saving mode	Eco Drive

- ▣ Configurable with customised advanced controls for tetraplegics.
- ▣ Customisable frame colour or pattern.

Special Light & Special Light AllRoad

The perfect combination of power and lightness



12"/14"



36 V / 48 V



900 W / 1200 W



8,5 kg⁽¹⁾



up to 50 km⁽²⁾



50 Nm

Even more powerful with advanced Made in Triride electronics that enhance its characteristics and add further traction control performance to face everyday life with a lot of energy in a simple and practical way. Also available in the AllRoad version, it is versatile, light, with great performance, weighs only 9 kg and offers a range of up to 50 km on a flat path.



¹ Weight refers to device excluding battery and arms for wheelchair connection.

² Range refers to device with 36 V 14 Ah or 48 V 10,5 Ah battery on a flat route at medium speed of 6 km/h (level 1) with user weight of 70 kg. Range depends on: user weight, road condition, general state of the wheelchair and tires, condition of the battery, speed and type of driving.

Triride srl reserves the right to modify the models with updates and innovations and therefore the images may differ from the final product sold.



MODEL SPECIFIC FEATURES

• Max. power (with 36 V / 48 V)	900 W/1200 W
• Max. torque	50 Nm
• Wheel size	12" or 14"
• Lithium-ion battery	36 V or 48 V
• Tyre	City or Cross
• Energy saving mode	Eco Drive
• Dual drive profile as standard	Normal / Sport

ALLROAD VERSION

- Increased tyre: **AllRoad / Supermotard**
- Carbon fender as standard

- Configurable with customised advanced controls for tetraplegics.
- Customisable frame colour or pattern.



Special Compact HT & HT AllRoad

High torque at your finger tips!



12"



36 V / 48 V



1000 W / 1400W



11 kg⁽¹⁾



up to 50 km⁽²⁾



75 Nm

Maximum compactness with a new exclusive, powerful high performance motor, combined with the sophisticated Made in Triride electronics, it guarantees maximum performance to satisfy even the most demanding users. Perfect for tackling the more demanding inclines, and more uneven routes with the Allroad tyre option. A true "all-rounder", weighs about 11kg and can reach up to 50 km of range.



¹ Weight refers to device excluding battery and arms for wheelchair connection.

² Range refers to device with 36 V 14 Ah or 48 V 10,5 Ah battery on a flat route at medium speed of 6 km/h (level 1) with user weight of 70 kg. Range depends on: user weight, road condition, general state of the wheelchair and tires, condition of the battery, speed and type of driving.

Triride srl reserves the right to modify the models with updates and innovations and therefore the images may differ from the final product sold.



MODEL SPECIFIC FEATURES

• Max. power (with 36 V / 48 V)	1000 W / 1400 W
• Motor (torque)	HT High Torque
• Lithium-ion battery	36 V or 48 V
• Tyre	City or Cross
• Energy saving mode	Eco Drive
• Dual drive profile as standard	Normal / Sport

ALLROAD VERSION

- Increased tyre: **AllRoad / Supermotard**
- Carbon fender as standard

- Configurable with customised advanced controls for tetraplegics.
- Customisable frame colour or pattern.



Special L14

It stops at nothing



14"



48 V



1500 W



11,9 kg⁽¹⁾



up to 50 km⁽²⁾



50 Nm

Superior power, with the motor integrated into the 14-inch rim, the L14 provides maximum performance for the most demanding users.

Great for tackling demanding situations, such as steeper inclines.

Great versatility and performance, providing a range up to 50 km on a flat path.



¹ Weight refers to device excluding battery and arms for wheelchair connection.

² Range refers to device with 48 V 10,5 Ah battery on a flat route at medium speed of 6 km/h (level 1) with user weight of 70 kg. Range depends on: user weight, road condition, general state of the wheelchair and tires, condition of the battery, speed and type of driving.

Triride srl reserves the right to modify the models with updates and innovations and therefore the images may differ from the final product sold.



MODEL SPECIFIC FEATURES

• Max. power (48 V)	1500 W
• Torque	50 Nm
• Transport weight ¹	from 11,9 kg
• Wheel size	14"
• Lithium-ion battery	48 V
• Range ²	up to 50 km
• Tyre	City
• Energy saving mode	Eco Drive
• Dual drive profile as standard	Normal / Sport

- ▣ Configurable with customised advanced controls for tetraplegics.
- ▣ Customisable frame colour or pattern.

Special HP 16

To challenge distant horizons



16"



48 V



1500 W



12,8 kg⁽¹⁾



from 50 km⁽²⁾



50 Nm

Top of the line performance and a larger diameter wheel for great drivability over longer distances, a real "mileage grinder" capable of satisfying even the most demanding users.

Great for tackling the most demanding situations, such as steeper inclines and uneven routes. Ideal for longer distances and the larger user.

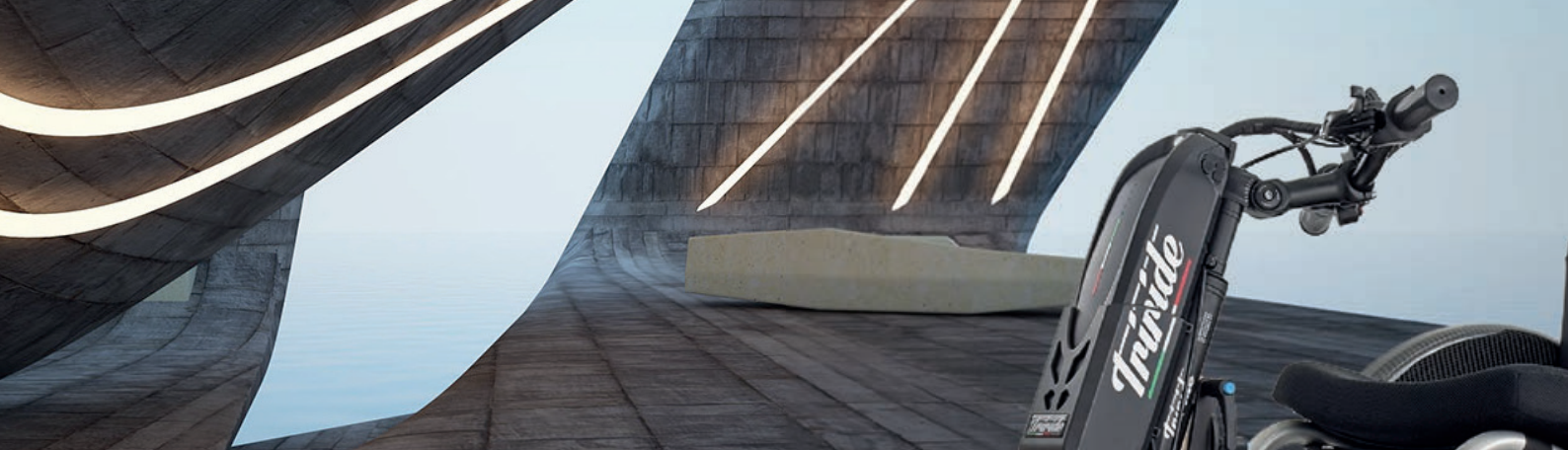
Versatile, high performance, weighs just over 12 kg and provides a range up to 50km on a flat route.



¹ Weight refers to device excluding battery and arms for wheelchair connection.

² Range refers to device with 48 V 10,5 Ah battery on a flat route at medium speed of 6 km/h (level 1) with user weight of 70 kg. Range depends on: user weight, road condition, general state of the wheelchair and tires, condition of the battery, speed and type of driving.

Triride srl reserves the right to modify the models with updates and innovations and therefore the images may differ from the final product sold.



MODEL SPECIFIC FEATURES

• Max. power	1500 W
• Torque	50 Nm
• Transport weight ¹	from 12,8 kg
• Wheel size	16"
• Lithium-ion battery	48 V
• Range ²	up to 50 km
• Tyre	City or Cross
• Energy saving mode	Eco Drive
• Dual drive profile as standard	Normal / Sport

- Configurable with customised advanced controls for tetraplegics.
- Customisable frame colour or pattern.



Mad Max

Track like Emotions



16"/20"



48 V



1500 W



12,8 kg⁽¹⁾



up to 50 km⁽²⁾



65 Nm

MadMax, the Top of the range model with ultimate on road performance.

With its 16 "(18" effective) wheel, high torque HT motor and 1500 W of power, the Mad Max is ideal for all those who want to experience thrills on the road.

IBS and ICC standard which allow professional assistance and complete customisation of performance.



¹ Weight refers to device excluding battery and arms for wheelchair connection.

² Range refers to device with 48 V 10,5 Ah battery on a flat route at medium speed of 6 km/h (level 1) with user weight of 70 kg. Range depends on: user weight, road condition, general state of the wheelchair and tires, condition of the battery, speed and type of driving.

Tiride srl reserves the right to modify the models with updates and innovations and therefore the images may differ from the final product sold.



MODEL SPECIFIC FEATURES

• Max. power	1500 W
• Motor (Torque)	HT High Torque
• Transport weight ¹	from 12,8 kg
• Wheel size	16" or 20"
• Single or double Lithium-ion battery	48 V
• Tyre	City
• Energy saving mode	Eco Drive
• Dual drive profile as standard	Normal/Sport
• Safety package as standard	IBS+ICC
• Fender	Carbon



- Configurable with customised advanced controls for tetraplegics.
- Customisable frame colour or pattern.

T-Rocks

For off-road lovers



16"/20"



48 V



1500 W



12,8 kg⁽¹⁾



up to 50 km⁽²⁾



65 Nm

Go beyond all limits with T-Rocks. Designed to accompany you on the most demanding outdoor excursions. Ideal for OFF-ROAD routes the sense of freedom awaits you.

T-Rocks evolves with a new fork design, with greater performance, and expands the family with a model with a 16"x4.00 wheel which, combined with the exclusive HT motor, guarantees excellent grip and traction force to tackle any terrain. Available with dual battery (optional) with selection switch.



¹ Weight refers to device excluding battery and arms for wheelchair connection.

² Range refers to device with 48 V 10,5 Ah battery on a flat route at medium speed of 6 km/h (level 1) with user weight of 70 kg. Range depends on: user weight, road condition, general state of the wheelchair and tires, condition of the battery, speed and type of driving.

Triride srl reserves the right to modify the models with updates and innovations and therefore the images may differ from the final product sold.



MODEL SPECIFIC FEATURES

• Max. power	1500 W
• Motor (Torque)	HT High Torque
• Transport weight ¹	from 12,8 kg
• Wheel size	16" or 20"
• Single or double Lithium-ion battery	48 V
• Tyre	Cross
• Energy saving mode	Eco Drive
• Dual drive profile as standard	Normal/Sport
• Safety package as standard	IBS+ICC
• Fender	Carbon

- Configurable with customised advanced controls for tetraplegics.
- Customisable frame colour or pattern.



Configurations for tetraplegic users

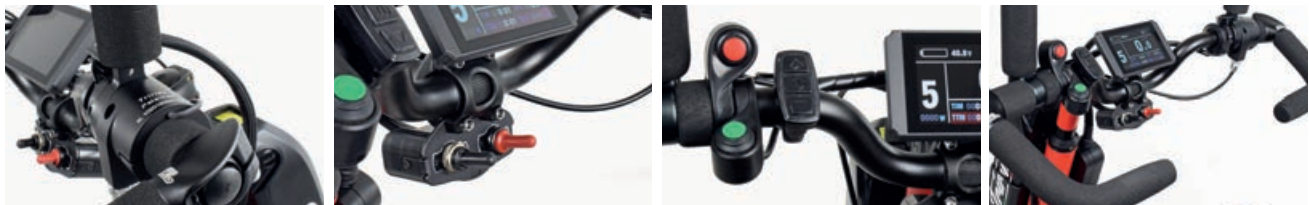
360° customisation



Triride devices are completely customisable and adaptable to the user's needs.

Particular attention is given to users with tetraplegia or restricted mobility in the upper limbs in general. The company has patented a "Push & Pull" device which, combined with other features and accessories of the handlebar, makes it possible to maneuver the device with complete ease in total safety.

Each user has specific requirements and for this reason each configuration is made to measure.



Triride srl reserves the right to modify its devices with improvements and updates, the model and accessories shown in the images may therefore differ from the final product.



Configuration example



Triride makes its specialist available to provide customised solution according to the individual needs of the user.





Tribike Handbike

Tribike Manual

For those who like to pedal



16"/20"



Manual



9,5 kg⁽¹⁾

The new Tribike is the manual handbike for those who want to pedal! Compact and easy to handle with a smooth cycling experience. Featured with, racing hand pedals and adjustable pedaling position, integrated hub brake and disc brake. It is available in different colors on request.



¹ Weight refers to device excluding battery and arms for wheelchair connection.

Tribike srl reserves the right to modify the models with updates and innovations and therefore the images may differ from the final product sold.



MODEL SPECIFIC FEATURES

• Gear hub	8 or 11 speed
• Transport weight ¹	from 7,5 kg
• Wheel size	16" or 20"
• Tyre	City or cross

- ▣ Configurable with customised advanced controls for tetraplegics.
- ▣ Customisable frame colour or pattern.

Tribike E Hybrid

With pedal assistance



16"/20"



36 V



Hybrid



12,5 kg⁽¹⁾



up to 100 km⁽²⁾

The first model of the Hybrid Triride Handbike is born, inspired and realized on Sport Handbike Technology. Compact and easy to handle, it contains all the Triride technology, from the motor assisted pedaling, to the high performance made in Triride electronics. Racing pedals and handles, adjustable pedal position and great smoothness are just some of the features of this fun handbike. Freedom and well-being in complete autonomy thanks to the assisted pedaling.



¹ Weight refers to device excluding battery and arms for wheelchair connection.

² Range refers to device with 36 V 14 Ah or 48 V 10,5 Ah battery on a flat route with pedal assistance (level 1) and user weight of 70 kg. Range depends on: user weight, road condition, general state of the wheelchair and tires, condition of the battery, speed and pedaling effort.



MODEL SPECIFIC FEATURES

• Transport weight ¹	from 12,5 kg
• Gear	7 speed
• Wheel size	16" or 20"
• Lithium-ion battery	36 V or 48 V
• Range ²	up to 100 km
• Tyre	City or Cross
• Pedal assisted sensor	PAS (with ON-OFF)
• "Free" wheel (no Reverse gear)	
• "LCD 05" display with 5 selectable power levels	
• Pedal start/up electric assistance control	

- Configurable with customised advanced controls for tetraplegics.
- Customisable frame colour or pattern.



Tribike E Plus Hybrid

With pedal assistance



16"/20"



36 V / 48 V



Hybrid



12,5 kg⁽¹⁾



up to 100 km

The first advanced model of the Hybrid Triride Handbike is born, inspired and realized on Sport Handbike Technology. Compact and easy to handle, it contains all the Triride technology, from the motor assisted pedaling, to the high performance made in Triride electronics.

Racing pedals and handles, adjustable pedal position and great smoothness are just some of the features of this fun handbike. Freedom and well-being in complete autonomy thanks to the assisted pedaling.



¹ Weight refers to device excluding battery and arms for wheelchair connection.

² Range refers to device with 36 V 14 Ah or 48 V 10,5 Ah battery on a flat route with pedal assistance (level 1) and user weight of 70 kg. Range depends on: user weight, road condition, general state of the wheelchair and tires, condition of the battery, speed and pedaling effort.



MODEL SPECIFIC FEATURES

• Gear	7 speed
• Wheel size	16" or 20"
• Lithium-ion battery	36 V or 48 V
• Range ²	up to 100 km
• Tyre	City or Cross
• Pedal assisted sensor	PAS (with ON-OFF)
• "LCD USB 07" Display with 5 selectable power levels	
• Pedal start/up electric assistance control	
• Control panel with reverse gear and cruise control	
• Electronic regenerative brake + IBS + ICC	

- Configurable with customised advanced controls for tetraplegics.
- Customisable frame colour or pattern.







for the Wheelchair

Rear axle extension for your wheelchair

Optimise the experience with your triride

This Triride system allows you to attach an additional rear axle to your wheelchair which enables you to move the wheels backwards, providing a greater load on the front wheel and increases traction. It is also possible to specify wheel camber ($3^{\circ}/6^{\circ}$) which increases the stability of the wheelchair for improved driving performance, both in daily use and in off-road use.

WHAT ARE THE BENEFITS?

- Weight distribution on the front wheel for maximum grip.
- Increased stability in corners thanks to the increased camber of the $3^{\circ}/6^{\circ}$ wheels (on request).
- Better driving performance and stability both on the road and in off road.



■ Wheels in everyday axle

■ Wheels in rear extension

■ Wheels in maximum rear extension



- ❑ MAXIMUM GRIP
- ❑ MORE STABILITY
- ❑ IMPROVED PERFORMANCE

The rear axle can slide in different positions allowing you to choose the optimal position for your wheelchair. Your wheels can be easily moved from the original axle to the rear axle at any time.



Multi Traction Wheelchair

Rear motorization kit for manual wheelchair

Born from Triride technology, it allows you to transform your manual wheelchair into an advanced technology electronic wheelchair.

The MTW Trekking / Trekking Power kit attaches and removes in a few seconds, returning the wheelchair to its original state without any structural changes.

Indoor, Trekking or Trekking Power

Combined with any Triride, Tribike Hybrid or Triwheel model, it allows you to have a high-performance electric wheelchair with one, two or three-wheel drive (3X3). Thanks to the special control you can choose the type of drive you want.

By removing the front power traction it is possible to use the wheelchair in indoor mode using the practical joystick.



- indoor -



- trekking -



- trekking power -





TREKKING
& TREKKING POWER



GENERAL FEATURES*

- Maximum power: from 600 W to 2400 W (Rh+Lh)
- Double battery: 36 V or 48 V
- Traction selector: Front (I), Rear (II), Multi Traction 3x3 (III)
- Range*: up to 50 km
- Weight: 12 kg (without batteries)

- Programmable electronics via Triride software for a complete customisation
- Rear LED light with stop function, flashing when braking
- Anti-tip arm
- Wheel and tyre diameter of your choice
- Wide range of accessories

*For all features see the technical data sheet





GRAVEL, SAND, GRASS, DIRT, SNOW

The motorized wheels supplied provide rear-wheel drive that allows you to tackle any type of off-road route or very demanding climbs.

EASY TO INSTALL

The wheelchair is equipped with patented Triride attachments to which it is possible to hook and unhook the MTW rear axle without making any structural changes.

UNIVERSAL

Compatible and installable on most wheelchairs on the market, with both rigid and foldable frame.



Triride exports all devices worldwide through a network of localized distributors

You will find number of dealers/resellers in multiple countries, to help decide on the perfect Triride for you.

All Triride dealers have the latest demonstration stock available for trial. To find the location of all dealers on our website, or get in touch with us for assistance and discover a new way of moving with Triride!

Find the nearest dealer
on our website
www.trirideitalia.com





TRIRIDE srl - via Massimo D'Antona, 8 – 63812 Montegranaro (FM) - Italy
Tel: +39 0733 801405 - Mob: +39 327 6266267 - Mail: info@trirideitalia.it

WWW.TRIRIDEITALIA.COM

