



AERO X | 2GX

OWNER'S MANUAL

DEALER/SUPPLIER:

THIS MANUAL MUST BE GIVEN TO THE USER OF THIS WHEELCHAIR.

USER:

BEFORE USING THIS WHEELCHAIR, YOU MUST READ THIS MANUAL IN ITS ENTIRETY AND SAVE IT FOR FUTURE REFERENCE.

ATTENDANTS/ASSISTANTS:

BEFORE ASSISTING THE USER OF THIS WHEELCHAIR, YOU MUST READ THIS MANUAL IN ITS ENTIRETY AND SAVE IT FOR FUTURE REFERENCE.

SERIAL NUMBER _____

⚠ WARNING - READ THIS MANUAL

DO NOT OPERATE THIS WHEELCHAIR WITHOUT FIRST READING AND UNDERSTANDING THIS OWNER'S MANUAL. IF YOU ARE UNABLE TO UNDERSTAND THE WARNINGS, CAUTIONS AND INSTRUCTIONS, CONTACT YOUR TiLITE DEALER OR TiLITE CUSTOMER SUPPORT AT (800) 545-2266 BEFORE ATTEMPTING TO USE THIS WHEELCHAIR. *IF YOU IGNORE THIS WARNING, YOU MAY FALL, TIP OVER OR LOSE CONTROL OF THE WHEELCHAIR AND SERIOUSLY INJURE YOURSELF OR OTHERS OR DAMAGE THE WHEELCHAIR.*

⚠ WARNING - WHEELCHAIR SELECTION

TiLITE MANUFACTURES A WIDE VARIETY OF WHEELCHAIRS TO MEET THE VARIED NEEDS OF WHEELCHAIR USERS. HOWEVER, TiLITE IS NOT YOUR HEALTH CARE ADVISOR, AND WE KNOW NOTHING ABOUT YOUR INDIVIDUAL CONDITION OR NEEDS. THEREFORE, THE FINAL SELECTION OF THE PARTICULAR MODEL, AND HOW IT IS ADJUSTED, AND THE TYPE OF OPTIONS AND ACCESSORIES NECESSARY REST SOLELY WITH YOU, THE WHEELCHAIR USER, AND THE HEALTH CARE PROFESSIONAL THAT IS ADVISING YOU. CHOOSING THE BEST CHAIR AND SETUP FOR YOUR SAFETY DEPENDS ON SUCH THINGS AS:

1. YOUR DISABILITY, STRENGTH, BALANCE AND COORDINATION;
2. THE TYPES OF HAZARDS YOU MUST OVERCOME IN DAILY USE (WHERE YOU LIVE AND WORK AND OTHER PLACES YOU ARE LIKELY TO USE YOUR CHAIR);
3. YOUR NEED FOR OPTIONS FOR YOUR SAFETY AND COMFORT (SUCH AS ANTI-TIPS, POSITIONING BELTS OR SPECIAL SEATING SYSTEMS).

IF YOU IGNORE THIS WARNING, YOU MAY ENDANGER YOUR HEALTH.

⚠ WARNING - TIE-DOWN RESTRAINTS

TiLITE RECOMMENDS THAT WHEELCHAIR USERS NOT BE TRANSPORTED IN VEHICLES OF ANY KIND WHILE IN WHEELCHAIRS. AS OF THIS DATE, THE UNITED STATES DEPARTMENT OF TRANSPORTATION HAS NOT APPROVED ANY TIE-DOWN SYSTEM FOR TRANSPORTATION OF A USER WHILE IN A WHEELCHAIR IN A MOVING VEHICLE OF ANY TYPE. IT IS TiLITE'S POSITION THAT USERS OF WHEELCHAIRS SHOULD BE TRANSFERRED INTO APPROPRIATE VEHICLE SEATING FOR TRANSPORTATION AND SHOULD USE THE RESTRAINTS MADE AVAILABLE BY THE AUTO INDUSTRY. TiLITE CANNOT, AND DOES NOT, RECOMMEND ANY WHEELCHAIR TRANSPORTING SYSTEMS.

⚠ WARNING - SEATING RESTRAINTS

IT IS THE OBLIGATION OF YOUR DEALER AND THE HEALTH CARE PROFESSIONALS WHO ARE ADVISING YOU TO DETERMINE IF YOU REQUIRE A SEATING RESTRAINT OR POSITIONING SYSTEM IN ORDER TO ENSURE THAT YOU CAN SAFELY OPERATE YOUR WHEELCHAIR. SERIOUS INJURY CAN OCCUR IN THE EVENT OF A FALL FROM A WHEELCHAIR.

Note: The information contained in this document is subject to change without notice. An updated version of this Owner's Manual may be available at www.tilite.com

SAVE THIS MANUAL FOR FUTURE REFERENCE



Dear TiLite Customer:

We are glad that you have chosen to be part of the TiLite family. Making the best wheelchairs in the world is our mission. Over the years, we have achieved that mission by putting our heart and soul into every wheelchair that we design and build. Here are just a few examples of where that heart and soul comes from *and* where it leads:

- **We Are You:** From our designers and engineers to our sales people in the field, you will find chair users. When we design for you, we are designing for us.
- **Evidence-Based Quality:** TiLite wheelchairs represent the latest in state-of-the-art design and performance based on extensive research into wheeled mobility. The result is a chair that provides unparalleled quality.
- **Choice Matters:** TiLite offers the most extensive range of options and components on a chair. More choices mean more ability to truly create a custom configuration of options to meet the widest variety of needs and to maximize function.
- **Customer Service:** TiLite's goal is to provide the ultimate service for the Ultimate Ride. The sale of a wheelchair does not mark the end of our relationship with our customers, it marks the beginning. We will always work with you, our customers, to ensure the highest levels of satisfaction.

What does all this mean for you? It means that your handmade TiLite wheelchair combines the finest frame and component materials with elegant aesthetics and sophisticated manufacturing and quality control procedures, ensuring you many years of exceptional performance and durability. Enjoy the ride.

Please take a moment to register this chair at tilite.com. This will allow us to better serve you should you have any questions regarding your TiLite.

On behalf of the TiLite Team, thank you for choosing TiLite.

A handwritten signature in blue ink that reads 'David'.

David Lippes
Founder, Chairman & CEO

REGISTER YOUR TiLITE

Register online at TiLite.com

or

Complete and mail the form on the next page

Why Should You Register:

1. Increase your use and enjoyment of your TiLite by receiving updates from TiLite with product information, maintenance tips and industry news.
2. Enable TiLite to contact you or your health care provider if servicing is needed for your wheelchair.
3. Provide your feedback to TiLite regarding your experience and needs, thereby enabling TiLite to further improve product designs.

All information you provide to TiLite when you register will be protected by TiLite as required by applicable laws and regulations and will be used solely by TiLite.



PRODUCT REGISTRATION FORM

Register online at tilite.com or
complete and mail this form.

CUT ALONG LINE

Name: _____

Address: _____

City: _____ State/Province: _____

Zip/Postal Code: _____ Country: _____

..... FOLD HERE

Email: _____ Phone: _____

Model: _____ Serial #: _____

Purchased From: _____ Date of Purchase: _____

1. Method of purchase: (check all that apply)
 Medicare Insurance Medicaid Other _____

2. This product was purchased for use by: (check one)
 Self Parent Spouse Other _____

3. Reasons for purchasing a TiLite:
 Reputation Dealer Relative Friend Therapist/Doctor
 Advertisement: (Please Specify) _____

4. Were your expectations met in the following areas? If not, please specify.
Quality of Service: Yes No _____
Timeliness of Delivery: Yes No _____
Quality of Product: Yes No _____

..... FOLD HERE

5. What additional features, if any, would you like to see on this or future TiLite products?

CUT ALONG LINE



FOLD HERE

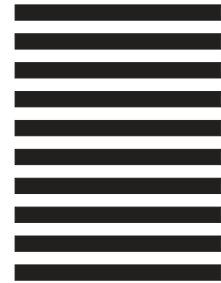


NO POSTAGE
NECESSARY
IF MAILED
IN THE
UNITED STATES

BUSINESS REPLY MAIL
FIRST-CLASS MAIL PERMIT 100 PASCO WA

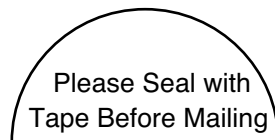
POSTAGE WILL BE PAID BY ADDRESSEE

**TILITE
2701 WEST COURT ST
PASCO WA 99301-3911**



FOLD HERE

TiLite Product Registration Form



CUT ALONG LINE

CUT ALONG LINE



CONTENTS

CHAPTER 1: WARNINGS	1-1
GENERAL WARNINGS	1-1
A. SAFETY INSPECTIONS AND MAINTENANCE.....	1-1
B. ACCLIMATING TO YOUR NEW CHAIR.....	1-1
C. WEIGHT LIMITATION.....	1-1
D. PREVENTING ACCIDENTS AND INJURIES.....	1-1
E. CHANGING/ADJUSTING YOUR WHEELCHAIR.....	1-2
F. ENVIRONMENTAL FACTORS.....	1-2
G. STREET USE.....	1-2
H. TERRAIN.....	1-2
I. MOTOR VEHICLE SAFETY.....	1-3
J. WEIGHT TRAINING.....	1-3
K. OBTAINING ASSISTANCE.....	1-3
L. STANDING ON YOUR CHAIR.....	1-4
WARNINGS FOR SAFE USE OF YOUR WHEELCHAIR	1-4
A. LEARNING TO DO A “WHEELIE”.....	1-4
B. CLIMBING A CURB OR SINGLE STEP.....	1-5
C. CLIMBING A FLIGHT OF STAIRS.....	1-5
D. DESCENDING A CURB OR SINGLE STEP.....	1-5
E. DESCENDING A FLIGHT OF STAIRS.....	1-6
WARNINGS REGARDING FALLING AND TIPPING OVER	1-6
A. CENTER OF GRAVITY—STABILITY AND BALANCE.....	1-6
B. TRANSFERRING IN AND OUT OF YOUR WHEELCHAIR.....	1-7
C. DRESSING/UNDRESSING IN YOUR CHAIR.....	1-8
D. BENDING/LEANING/REACHING.....	1-8
E. MOVING BACKWARD.....	1-9
F. WHEELIES.....	1-9
G. OBSTACLES.....	1-9
H. CURBS/STEPS.....	1-10
I. HILLS/SLOPES/RAMPS.....	1-10
J. STAIRS.....	1-11
K. ESCALATORS.....	1-11
L. ASSISTANTS AND ATTENDANTS.....	1-11
WARNINGS REGARDING COMPONENTS AND OPTIONS	1-11
A. ANTI-TIPS.....	1-11
B. SEAT SLINGS/CUSHIONS.....	1-12
C. UPHOLSTERY FABRIC.....	1-12
D. SEATING SYSTEMS.....	1-13
E. POSITIONING OR SEAT BELTS.....	1-13
F. ARMRESTS.....	1-13
G. FOOTRESTS/HANGERS.....	1-14
H. REAR WHEELS.....	1-14
I. AXLES.....	1-14
J. PNEUMATIC TIRES.....	1-15
K. REAR WHEEL LOCKS.....	1-15
L. CASTER PIN LOCKS.....	1-15

M. PUSH HANDLES.....	1-16
N. FASTENERS.....	1-16
O. POWER DRIVE.....	1-16
P. UNAUTHORIZED PARTS AND ACCESSORIES.....	1-16

CHAPTER 2: SAFETY INSPECTION, MAINTENANCE & TROUBLESHOOTING.....2-1

INTRODUCTION.....	2-1
SAFETY INSPECTIONS AND MAINTENANCE.....	2-1
CLEANING.....	2-3
Cleaning the Frame.....	2-3
Cleaning the Crosstubes.....	2-3
Cleaning the Upholstery.....	2-3
Axles and Moving Parts.....	2-3
STORAGE.....	2-3
TROUBLESHOOTING.....	2-4

CHAPTER 3: FOOTRESTS.....3-1

FLIP-UP FOOTREST; ANGLE ADJUSTABLE FLIP-UP FOOTREST; DEPTH ADJUSTABLE FLIP-UP FOOTREST; AND DEPTH AND ANGLE ADJUSTABLE FLIP-UP FOOTREST.....	3-1
Adjusting the Height/Replacing.....	3-1
Adjusting the Angle.....	3-2
Adjusting the Depth.....	3-3
HIGH MOUNT FLIP-UP FOOTREST; ANGLE ADJUSTABLE HIGH MOUNT FLIP-UP FOOTREST; DEPTH ADJUSTABLE HIGH MOUNT FLIP-UP FOOTREST; AND DEPTH & ANGLE ADJUSTABLE HIGH MOUNT FLIP-UP FOOTREST.....	3-3
Adjusting the Height/Replacing.....	3-4
Adjusting the Angle or Depth.....	3-4
90° HANGER FLIP-UP FOOTRESTS; 90° HANGER DEPTH ADJUSTABLE FLIP-UP FOOTRESTS.....	3-5
Adjusting the Height/Replacing.....	3-5
Adjusting the Depth.....	3-5
90° HANGER DEPTH AND ANGLE ADJUSTABLE FLIP-UP FOOTRESTS.....	3-5
Adjusting the Height/Replacing.....	3-5
Adjusting the Angle.....	3-6
Adjusting the Depth.....	3-6
SWING AWAY HANGERS.....	3-6
1-PIECE, OVER-CENTER FOLDING FOOTREST.....	3-7
Adjusting the Height/Replacing.....	3-7
Adjusting the Angle.....	3-7
1-PIECE FLIP-UP FOOTREST.....	3-8
Adjusting the Height/Replacing.....	3-8
Adjusting the Angle.....	3-8
ELEVATING LEGREST (ELR).....	3-9
Installing.....	3-9
Adjusting the ELR Length.....	3-10
Adjusting the Footrest.....	3-10

CHAPTER 4: BACKRESTS, PUSH HANDLES AND STROLLER HANDLES.....4-1

ADJUSTABLE HEIGHT BACKREST.....	4-1
Adjusting the Backrest Height.....	4-1

ANGLE ADJUSTABLE FOLD DOWN BACKREST.....	4-1
Folding the Backrest.....	4-1
Unfolding the Backrest.....	4-1
Changing the Backrest Angle.....	4-2
Adjusting the Backrest Height.....	4-3
HEIGHT ADJUSTABLE PUSH HANDLES.....	4-3
Adjusting the Height.....	4-3
FOLD DOWN PUSH HANDLES.....	4-4

CHAPTER 5: ARMRESTS.....5-1

SWING AWAY ARMREST.....	5-1
Adjusting the Height.....	5-1
Adjusting the Height of the Receiver.....	5-2
DESK ARM WITH RIGID SIDE GUARD AND DESK ARM WITH RIGID SIDE GUARD AND TRANSFER LOOP.....	5-2
Adjusting the Armrest Height.....	5-2
Removing.....	5-2
Replacing.....	5-2
FLIP BACK DESK ARM.....	5-3
SWING AWAY- FLIP BACK ARMREST.....	5-4
Adjusting the Armrest Height.....	5-4
Adjusting the Armrest Angle.....	5-5

CHAPTER 6: SIDE GUARDS.....6-1

CLOTH SIDE GUARDS.....	6-1
Removing/Replacing.....	6-1
RIGID REMOVABLE AND QUAD REMOVABLE SIDE GUARDS (Aluminum and Carbon Fiber).....	6-1
Using Rigid Side Guards.....	6-1
Adjusting.....	6-2
Removing.....	6-2
Reinstalling.....	6-2
ALUMINUM FENDERED SIDE GUARDS.....	6-2
Mounting.....	6-2

CHAPTER 7: BACK UPHOLSTERY, SEAT UPHOLSTERY AND SEAT CUSHIONS.....7-1

PADDED NYLON BACK UPHOLSTERY.....	7-1
Replacing.....	7-1
TENSION ADJUSTABLE BY STRAP BACK UPHOLSTERY.....	7-1
Adjusting the Tension.....	7-1
Replacing.....	7-2
VELCRO®-STYLE ADJUSTABLE BACK UPHOLSTERY.....	7-2
Adjusting the Tension.....	7-2
Replacing.....	7-3
CORBAC® ADJUSTABLE CONTOUR BACK SUPPORT.....	7-3
TENSION ADJUSTABLE SLIDE-IN SEAT SLING.....	7-3
Adjusting the Tension.....	7-4
Replacing.....	7-4
SEAT CUSHIONS.....	7-5
Replacing the Foam Insert in the TiLite Seat Cushion.....	7-5
VELCRO®-STYLE ADJUSTABLE SEAT BELT.....	7-5
Installation.....	7-5
Adjustment.....	7-6

Safety Check.....	7-6
Maintenance.....	7-6
QUICK-RELEASE SOLID SEAT PAN (Aluminum).....	7-6

CHAPTER 8: AXLE PLATES & CAMBER PLUGS

(CENTER OF GRAVITY; REAR SEAT HEIGHT).....	8-1
STANDARD CAMBER PLUG.....	8-1
Adjusting the Center of Gravity.....	8-1
Adjusting the Rear Seat Height.....	8-2
Adjusting the Rear Wheel Spacing/Replacing the Camber Plugs.....	8-3
ADJUSTING TOE-IN/TOE-OUT.....	8-5

CHAPTER 9: AXLES AND AMPUTEE ADAPTERS.....9-1

STAINLESS AND TITANIUM QUICK-RELEASE AXLES.....	9-1
Adjusting the Quick-Release Axle.....	9-1
QUAD QUICK-RELEASE AXLES.....	9-1
Adjusting the Quad Quick-Release Handle.....	9-1
Adjusting the “Play”.....	9-3
AMPUTEE ADAPTERS.....	9-4

CHAPTER 10: WHEEL LOCKS.....10-1

COMPACT PUSH TO LOCK.....	10-1
Adjusting.....	10-1
Replacing.....	10-1
COMPACT PULL TO LOCK.....	10-2
Adjusting.....	10-2
Replacing.....	10-2
COMPACT PUSH TO LOCK AND COMPACT PULL TO LOCK WITH EXTENSION HANDLE..	10-2
UNI-LOCK.....	10-2
Adjusting.....	10-2
Replacing.....	10-3
Changing the Uni-Lock from the Push to the Pull Position.....	10-3
Repositioning the Handle of the Uni-Lock Wheel Lock.....	10-4
UNI-LOCK WITH EXTENSION HANDLES.....	10-5
COMPACT SCISSOR LOCK.....	10-5
Adjusting.....	10-5
Replacing.....	10-6

CHAPTER 11: CASTERS, FORKS AND CASTER PIN LOCKS.....11-1

STANDARD FORKS.....	11-1
Replacing Casters.....	11-1
Replacing Forks.....	11-1
ADJUSTING THE FRONT SEAT HEIGHT.....	11-1
CASTER PIN LOCKS.....	11-2
FLOATING CASTERS.....	11-2
FORK EXTENSIONS.....	11-3
GLIDE FORKS.....	11-3
Replacing Casters (Standard Forks).....	11-4
Replacing Casters (Slipstream Single-Sided Forks).....	11-4
Replacing Glide Forks (Standard and Slipstream Single-Sided).....	11-4
Replacing the Elastomer.....	11-5
ANGLE ADJUSTABLE SPEEDLOADER CASTER MOUNT.....	11-6
Adjusting the Angle.....	11-6

CHAPTER 12: REAR WHEELS	12-1
REAR WHEEL WITH QUICK-RELEASE AXLE.....	12-1
Removing.....	12-1
Replacing.....	12-1
REAR WHEEL WITH QUAD QUICK-RELEASE AXLE.....	12-1
Removing.....	12-1
Replacing.....	12-1
HANDRIMS.....	12-2
PNEUMATIC TIRES AND TUBES.....	12-2
SOLID TIRES.....	12-2
REAR WHEEL SPACERS.....	12-2
Adjusting the Rear Wheel Spacing.....	12-2
CHAPTER 13: ANTI-TIPS	13-1
ANTI-TIPS.....	13-1
Adjusting.....	13-1
Mounting the Anti-Tip Receiver.....	13-1
USER-FRIENDLY ANTI-TIPS.....	13-2
Engaging.....	13-2
Disengaging.....	13-2
Adjusting.....	13-3
Removing.....	13-3
Mounting.....	13-3

GENERAL WARNINGS

A. SAFETY INSPECTIONS AND MAINTENANCE

⚠WARNING

It is important to keep your wheelchair in proper working condition. Chapter 2 of this Manual outlines the safety inspections that you should make before each use of your chair, as well as weekly and quarterly inspections.

1. ALWAYS inspect and maintain your TiLite wheelchair strictly in accordance with the instructions and charts in Chapter 2.
2. If you detect a problem in the course of your inspections or maintenance, ALWAYS have the chair serviced or repaired to correct the problem **BEFORE** using the chair.
3. ALWAYS have your chair completely inspected and serviced by an authorized TiLite supplier at least once a year.
4. ALWAYS perform your safety inspections and any maintenance or adjustments while the chair is unoccupied (unless this Manual expressly states otherwise).

If you fail to inspect or maintain your wheelchair as directed in this Manual, you may fall, tip over or lose control of the wheelchair and seriously injure yourself or others or damage the wheelchair.

B. ACCLIMATING TO YOUR NEW CHAIR

⚠WARNING

Each wheelchair is a unique piece of medical equipment, with unique handling, maneuvering and ride characteristics. Whether you are a new wheelchair user or have years of experience, you **MUST** take the time to acclimate to this particular chair before you begin riding. Start slowly and take the time to learn the handling, maneuvering and ride characteristics of this chair. For example, your previous chair may have been a heavier and less responsive chair, and, therefore, you may be used to using more force than is necessary to maneuver your TiLite chair.

If you ignore these Warnings, you may fall, tip over or lose control of the wheelchair and seriously injure yourself or others or damage the wheelchair.

C. WEIGHT LIMITATION

⚠WARNING

The TiLite Aero X and 2GX wheelchairs have a weight limit of 265 pounds (120 kilograms). This weight limitation applies to the combined weight of the user and any items carried by the user. **DO NOT** exceed this weight limit.

If you exceed the limit, you may fall, tip over or lose control of the wheelchair and seriously injure yourself or others or damage the wheelchair.

D. PREVENTING ACCIDENTS AND INJURIES

⚠WARNING

1. You **MUST** be properly and fully trained in the safe use of this wheelchair by your health care advisor **BEFORE** you use this chair.
2. Together with your health care advisor, you **MUST** analyze your level of function and ability and develop your own methods for safe use that best suit you based on your level of function and ability.
3. You **MUST** learn the limits of your ability and operate this wheelchair within such limits. This means you must **PRACTICE** the maneuvers you will need to perform, such as bending, reaching and transfers, until you know the limits of your ability. **ALWAYS** practice with the assistance of someone who can help you until you know what can cause, and how to avoid, a fall or tip-over. **NEVER** try a new maneuver on your own until you are sure you can do it safely.
4. **ALWAYS** learn as much as you can about the places where you will be using your chair before you get there. **ALWAYS** be alert for hazards and learn how to avoid them.
5. Anti-Tips **MUST** be used with your wheelchair at all times. Because anti-tips are an option on this wheelchair, TiLite strongly recommends you order the anti-tips as they are an important safeguard for the wheelchair user.
6. Together with your health care advisor, you **MUST** analyze your medical condition to determine whether you are capable of using this chair safely and/or what options or accessories you will require in order to use this chair safely (e.g., pressure-relief cushions, seat belts).

CHAPTER 1: WARNINGS

If you ignore these Warnings, you may fall, tip over or lose control of the wheelchair and seriously injure yourself or others or damage the wheelchair.

E. CHANGING/ADJUSTING YOUR WHEELCHAIR

⚠WARNING

1. Use extreme caution when changing or adjusting the configuration of your TiLite wheelchair. When you change or adjust the configuration, you may increase the risk of a tip-over. Therefore, you should consult your authorized TiLite dealer BEFORE you change or adjust the configuration. Further, TiLite recommends that you use anti-tips at all times, and this is particularly true after you have changed or adjusted the configuration of your chair.
2. Unauthorized modifications to your chair, or the use of parts not supplied or approved by TiLite, may change the chair structure, may cause a safety hazard, including an increased risk of a tip-over, and will void the warranty.

If you ignore these Warnings, you may fall, tip over or lose control of the wheelchair and seriously injure yourself or others or damage the wheelchair.

F. ENVIRONMENTAL FACTORS

⚠WARNING

1. Riding your TiLite wheelchair on wet, icy or other slick surfaces increases the risk of losing control of the wheelchair or tipping over. Use extra care if you must ride your chair on any such surface. If you have any doubt about your ability to negotiate a particular surface, ALWAYS ask for assistance.
2. Titanium does not rust or corrode. Aluminum does not rust, but it will corrode. However, contact with water or excess moisture may still damage parts or components of your TiLite wheelchair that are made from other materials and could cause such parts or components to fail. Therefore, DO NOT:
 - a. use your chair in a shower, pool or other body of water,
 - b. leave your chair in a damp location, or
 - c. fail to dry your chair as soon as you can if it gets wet or if you use water to clean it.

If you ignore these Warnings, you may fall, tip over or lose control of the wheelchair and seriously injure yourself or others or damage the wheelchair.

G. STREET USE

⚠WARNING

1. As a wheelchair rider, you MUST obey all traffic rules pertaining to pedestrians (use of crosswalks, etc.). Most states do not permit wheelchairs to be ridden on public roads, streets or highways (i.e., as one would drive a car), so you should not do so without first consulting the traffic laws in your own state. Even if legal, riding your wheelchair on public roads, streets or highways is extremely dangerous and is not recommended.
2. At all times when riding your wheelchair in public areas (sidewalks, crosswalks, parking lots, etc.), be very alert to the danger of motor vehicles.
3. At night, or when lighting is poor, use reflective tape on your chair and clothing.
4. Due to your low position, it may be hard for drivers to see you. This is particularly true in situations where drivers may be driving in reverse, such as parking lots. If at all possible, make eye contact with drivers before you go forward. When in doubt, yield until you are sure it is safe, even if you have the right-of-way.

If you ignore these Warnings, you may fall, tip over or lose control of the wheelchair and seriously injure yourself or others or damage the wheelchair.

H. TERRAIN

⚠WARNING

Your TiLite wheelchair is designed for riding over firm, relatively smooth surfaces such as concrete and asphalt outdoors and indoor flooring (wood, tile, etc.) and carpeting. Your TiLite wheelchair is NOT designed for riding over sand, loose soil or rough terrain. Do NOT operate your chair in such terrain. You may damage the wheels or axles or loosen fasteners of your chair.

If you ignore these Warnings, you may fall, tip over or lose control of the wheelchair and seriously injure yourself or others or damage the wheelchair.

I. MOTOR VEHICLE SAFETY

⚠WARNING

TiLite wheelchairs are NOT designed to be used for seating in a motor vehicle, and TiLite wheelchairs do NOT meet Federal standards for motor vehicle seating.

1. NEVER sit in your chair while in any type of moving vehicle (bus, automobile, van, truck, boat, train, etc.). In an accident or sudden stop, you may be thrown from the chair. In an accident or sudden stop, a wheelchair seat belt will NOT prevent injuries and may, in fact, cause injuries.
2. ALWAYS transfer to an approved vehicle seat before the vehicle begins moving.
3. ALWAYS secure yourself in the approved vehicle seat using the proper seating restraints (in a motor vehicle, lap/shoulder belts; in a plane, lap belts, etc.).
4. NEVER transport your chair in the front seat of a vehicle. Movements of the vehicle may cause the chair to shift and interfere with the driver's ability to control the vehicle.
5. When transporting your chair in a moving vehicle, ALWAYS secure your chair so that it cannot roll or shift. In most cases, stowing it in the trunk is the safest alternative.
6. NEVER use any chair that has been involved in a motor vehicle accident. A wheelchair that has been involved in a motor vehicle accident may be damaged in ways that are not readily apparent and which could cause the chair to fail in use.

If you ignore these Warnings, you may fall, tip over or lose control of the wheelchair and seriously injure yourself or others or damage the wheelchair.

J. WEIGHT TRAINING

⚠WARNING

NEVER use your TiLite wheelchair for weight training. When your chair was set up with the assistance of your health care advisor, your center of gravity was determined based on your weight, the configuration of your chair and your abilities. If you engage in weight training activities in your chair, you are altering the total weight supported by your chair and the distribution of that weight. The center of gravity of your chair may not be appropriate with the additional weight or with the different distribution of weight, which may cause the chair to tip over. The additional weight could exceed the weight limit for the chair and damage the chair. If you intend to engage in weight training, TiLite recommends that you utilize weight training equipment with built-in seating and that you transfer to that seating rather than using your chair.

If you ignore these Warnings, you may fall, tip over or lose control of the wheelchair and seriously injure yourself or others or damage the wheelchair.

K. OBTAINING ASSISTANCE

⚠WARNING

For The Wheelchair User:

ALWAYS make sure that each person who assists you reads and understands this entire Manual, especially the Warnings in Chapter 1.

For Attendants/Assistants:

1. ALWAYS work with the user's health care advisor to learn safe methods to assist the wheelchair user and to determine which methods are best suited to your abilities and those of the user.
2. ALWAYS communicate to the user what you plan to do before you do it and explain what you expect the user to do while you are taking such action. This will put the user at ease and reduce the risk of an accident due to a miscommunication.
3. ALWAYS use good posture and proper body mechanics in order to avoid injury to your back.
4. When you lift or support the user or tilt the chair, ALWAYS bend your knees slightly and keep your back as upright and straight as you can.
5. Wheelchair push handles are designed to provide a secure location for an attendant to grip the rear of the wheelchair to prevent a fall or tip-over. ALWAYS make sure the wheelchair has push handles and ALWAYS use them. REGULARLY check to make sure the push handle grips are securely seated on the back canes so they will not rotate or slip off.
6. If you are going to tilt the chair backward, ALWAYS remind the user to lean back.

CHAPTER 1: WARNINGS

7. If you are going to descend a curb or single step, ALWAYS lower the chair slowly in one easy movement. NEVER let the chair drop the last few inches to the ground. This may damage the chair or injure the user.
8. ALWAYS become familiar with the user's wheelchair and all of its parts and components. In particular, be very aware of any removable parts. Removable parts must NEVER be used for a hand-hold or lifting supports because they may inadvertently release, resulting in possible injury to the user and/or assistant.
9. Anti-tips may present a tripping hazard to the attendant. To avoid tripping over the anti-tips, unlock and rotate anti-tip tubes up, out of the way. However, if you must leave the user unattended, even for a moment, ALWAYS rotate the anti-tips back into the down position and lock the rear wheels using the wheel locks. This will reduce the risk of a tip-over or loss of control of the chair.
10. When you are learning a new assistance technique, ALWAYS have an experienced attendant help you before attempting it on your own.

If you ignore these Warnings, you may fall, tip over or lose control of the wheelchair and seriously injure yourself or others or damage the wheelchair.

L. STANDING ON YOUR CHAIR

⚠ WARNING

Your TiLite wheelchair has been designed for use as a wheelchair, not as a step ladder. NEVER stand on your TiLite wheelchair.

If you ignore these Warnings, you may fall, tip over or lose control of the wheelchair and seriously injure yourself or others or damage the wheelchair.

WARNINGS FOR SAFE USE OF YOUR WHEELCHAIR

A. LEARNING TO DO A “WHEELIE”

⚠ WARNING

DO NOT attempt to perform a “wheelie” in your wheelchair because of the dangerous nature of this kind of maneuver.

TiLite recognizes that some wheelchair users will ignore this Warning. If you should choose to ignore this Warning, you should follow these steps to help learn to do a “wheelie” as safely as possible (but doing a “wheelie” is never completely safe and TiLite assumes no responsibility for any injury you may sustain as a result of doing a “wheelie”):

1. Read and follow the Warning for “WHEELIES” on page 1-9.
2. NEVER attempt to learn how to do a “wheelie” without the assistance of someone strong enough to catch you should you start to tip over (a “spotter”). Your spotter should read and be completely familiar with this entire Manual, especially this Warning and the Warning for “WHEELIES” on page 1-9.
3. Instruct your spotter to stand at the rear of your chair. Your spotter must be agile enough to move with you and your chair to prevent a tip-over.
4. Instruct your spotter to keep his or her hands BENEATH the push handles or backrest rigidizer bar so that he or she is ready to catch you if you exceed the balance point of the rear wheels and start to tip over backward.
5. When your spotter is in position and is ready, place your hands on the forward portion of the handrims. Using the handrims, make a quick BACKWARD movement of the rear wheels, quickly followed by a hard FORWARD thrust. This will tilt the chair up on the balance point of the rear wheels. DO NOT remove your hands from the handrims after either the backward movement or forward thrust so that you can continue to manipulate the rear wheels to maintain your balance on the two rear wheels.
6. Use SMALL movements of the handrims to maintain your balance on the two rear wheels.

If you ignore these Warnings, you may fall, tip over or lose control of the wheelchair and seriously injure yourself or others or damage the wheelchair.

B. CLIMBING A CURB OR SINGLE STEP

⚠WARNING

1. NEVER attempt to negotiate a curb or single step without assistance.
2. Instruct your assistant to stand at the rear of your wheelchair, with the front of the wheelchair facing the obstacle. NEVER attempt to negotiate any such obstacle backward.
3. Instruct your assistant to tilt the chair up on the rear wheels so that the front casters clear the curb or step.
4. Instruct your assistant to slowly move the chair forward and to gently lower the casters to the upper level as soon as you are sure that they are beyond the edge of the curb or step.
5. Instruct your assistant to continue to roll the chair forward until the rear wheels contact the face of the curb or step.
6. Instruct your assistant to lift and roll the rear wheels up to the upper level.

If you ignore these Warnings, you may fall, tip over or lose control of the wheelchair and seriously injure yourself or others or damage the wheelchair.

C. CLIMBING A FLIGHT OF STAIRS

⚠WARNING

DO NOT climb a flight of stairs with the user in the wheelchair.

However, TiLite recognizes that wheelchair users may, on occasion, have no other choice. Only if you have no alternative, you should follow these steps to climb up a flight of stairs.

1. NEVER attempt to negotiate more than one step unless you have two (2) able-bodied adult assistants.
2. ALWAYS position the chair and rider facing away from the stairs, with one assistant at the rear (facing away from the stairs) and one at the front of the chair (facing the rider).
3. The assistant at the rear of the chair is in control of this procedure. He or she must tilt the chair back to its balance point on the rear wheels. NEVER attempt to lift a wheelchair by lifting on any removable (detachable) parts, including upholstery and removable push handles or push handle grips.
4. The second assistant at the front must firmly grasp a non-detachable part of the front frame (but NOT swing away hangers) with both hands and lift the chair up and over one stair at a time.
5. Each assistant then carefully moves up to the next stair.
6. Repeat steps 1 through 5 for each stair, until you reach the landing.
7. When you reach the landing, the assistants should roll the chair backward on the two rear wheels until the casters have cleared the last step, at which point the assistants can gently lower the casters to the landing.

If you ignore these Warnings, you may fall, tip over or lose control of the wheelchair and seriously injure yourself or others or damage the wheelchair.

D. DESCENDING A CURB OR SINGLE STEP

⚠WARNING

1. NEVER attempt to negotiate a curb or single step without assistance.
2. When you are still several feet from the edge of the curb or step, instruct your assistant to stand at the rear of your wheelchair and turn it around so you are facing AWAY from the obstacle.
3. NEVER attempt to negotiate any such obstacle facing forward.
4. Instruct your assistant to carefully step backwards, pulling the chair backwards, until he or she is off the curb or stair and standing on the lower level. The assistant should watch his or her step over his or her shoulder when backing up in this manner.
5. Instruct your assistant to carefully pull the chair backward until the rear wheels reach the edge of the curb or step, and to then allow the rear wheels to slowly roll down to the lower level.
6. Instruct your assistant that, when the rear wheels are safely on the lower level, he or she may then tilt the chair backward to the balance point of the rear wheels, thereby raising the casters off the upper level.
7. Instruct your assistant to slowly roll the chair backward on the rear wheels, taking small steps until the casters have cleared the step or curb and, when clear, to gently lower the casters to the ground at the lower level.

If you ignore these Warnings, you may fall, tip over or lose control of the wheelchair and seriously injure yourself or others or damage the wheelchair.

CHAPTER 1: WARNINGS

E. DESCENDING A FLIGHT OF STAIRS

⚠WARNING

DO NOT descend a flight of stairs with the user in the wheelchair.

However, TiLite recognizes that wheelchair users may, on occasion, have no other choice. Only if you have no alternative, you should follow these steps to descend a flight of stairs.

1. NEVER attempt to negotiate more than one step unless you have two (2) able-bodied adult assistants.
2. ALWAYS position the chair and rider facing down the stairs, with one assistant at the rear (facing down the stairs) and one at the front of the chair (facing the rider).
3. The assistant at the rear of the chair is in control of this procedure. He or she must tilt the chair back to its balance point on the rear wheels and roll it to the edge of the first step. NEVER attempt to lift a wheelchair by lifting on any removable (detachable) parts, including upholstery and removable push handles or push handle grips.
4. The second assistant at the front must stand at the third step from the top and firmly grasp a non-detachable part of the front frame (but NOT swing away hangers) with both hands. The second assistant must lower the chair one stair at a time by letting the rear wheels roll over the stair edge. Each assistant then carefully moves down to the next stair.
5. Repeat steps 1 through 4 for each stair, until you reach the ground level.
6. When you reach the ground level, the first assistant should carefully lower the casters to the ground.

If you ignore these Warnings, you may fall, tip over or lose control of the wheelchair and seriously injure yourself or others or damage the wheelchair.

WARNINGS REGARDING FALLING AND TIPPING OVER

A. CENTER OF GRAVITY—STABILITY AND BALANCE



⚠WARNING

Most falls or tip-overs occur when you go beyond the center of gravity of you and your wheelchair. TiLite wheelchairs are designed to remain stable and upright in normal daily use and activities so long as you do not exceed the center of gravity. The most stable setup is with the rear wheels in the most rearward position on the chair. Anti-tips will help prevent the chair from tipping over backwards.

Every movement you make in your chair, and the rapidity with which you move, will have an affect on your center of gravity. The more you shift your body weight and the greater the speed at which you shift it, the greater the impact on your center of gravity in your chair.

There is a point where your wheelchair will tip forward or backward or to the side—which is a function of your center of gravity in the chair—its center of balance and stability. The type of chair, the setup of your chair, the options on your chair and the changes you make to the setup or options will all affect the center of gravity and therefore the stability of the chair. As the stability decreases, the risk of a fall or tip-over increases. Set forth below is a list of various types of adjustments that you may be able to make to your wheelchair, depending on the wheelchair model you own, and a brief description of how those adjustments will affect your center of gravity:

1. The position of the rear wheels is the most significant factor affecting your center of gravity. The more you move the rear wheels forward, the more likely your chair will tip over backward.

2. The distance between the rear wheels. The less distance between the rear wheels, the greater the likelihood your chair will tip over to the side.
3. The amount of rear wheel camber. The less camber, the greater the likelihood your chair will tip over to the side.
4. The height of your seat. As you raise the height of your seat, you raise your center of gravity and increase the likelihood of all types of tip-overs.
5. The angle of your seat. As you increase the angle of your seat (relative to the floor), your position in the chair is shifted toward the rear of the chair, increasing the likelihood your chair will tip over backward.
6. The angle of your backrest. As you increase the angle of your backrest (relative to the seat), your position in the chair is shifted toward the rear of the chair, increasing the likelihood your chair will tip over backward.
7. The height of your seat back. As you lower the height of your seat back, you make it easier to lean back in your chair, which in turn shifts your center of gravity rearward and increases the likelihood your chair will tip over backward.
8. The position of your casters. As you move your casters rearward on the frame (toward the rear wheels), you increase the likelihood your chair will tip over forward.

Other factors will affect your center of gravity:

1. A change in your body position, posture or weight distribution. For example, if you lean forward you shift the center of gravity forward and increase the likelihood of tipping over forward.
2. Riding your chair on a ramp or slope. On an up-slope, your weight shifts to the rear and a backward tip-over becomes more likely. On a down-slope, your weight shifts to the front of the chair and a forward tip-over becomes more likely.
3. The use of a backpack or other options, and the amount of weight added by those options. For example, carrying a lot of weight in a backpack will shift the center of gravity rearward and increase the likelihood of tipping over backward. However, using a TiLite seat pouch beneath the seat sling to carry heavier items will lower your center of gravity and reduce, but not eliminate, your risk of a tip-over.

In order to reduce the risk of a tip-over, you should:

1. CONSULT your doctor, nurse or therapist to find out what axle and caster position and other chair configuration options are best for you.
2. CONSULT your authorized TiLite dealer BEFORE you modify or adjust your wheelchair. Often, an adjustment you wish to make can be offset by another that you have not considered. For example, you may want to adjust the back angle rearward, which will increase the likelihood of a rear tip-over. You might not think you could counteract this tendency by moving the rear wheels backward. Your authorized TiLite dealer will be able to give you expert, personalized advice in such matters. See “Changing/Adjusting Your Wheelchair” on page 1-2.
3. ALWAYS have someone assist you until you learn your chair’s balance points and are completely comfortable in your ability to operate your chair under all conditions so as to avoid tip-overs.
4. ALWAYS use anti-tips. See “Changing/Adjusting Your Wheel Chair” on page 1-2.

If you ignore these Warnings, you may fall, tip over or lose control of the wheelchair and seriously injure yourself or others or damage the wheelchair.

B. TRANSFERRING IN AND OUT OF YOUR WHEELCHAIR

⚠ WARNING

Transferring in or out of your wheelchair is one of the most dangerous things you can attempt relating to your wheelchair. It requires good balance, agility and upper body conditioning. At some point in every transfer, there is no wheelchair seat beneath you and the seat, bed, etc. to or from which you are transferring is not beneath you either.

Important rules that will help to reduce the risk of a fall during a transfer are discussed below:

1. ALWAYS work with your health care advisor to learn safe transfer methods.
2. ALWAYS ask your health care advisor to teach you proper body positioning during a transfer and how to support yourself during a transfer.
3. ALWAYS have someone assist you when you transfer until you have learned how to transfer safely and have developed the upper body strength and coordination to transfer safely.
4. ALWAYS move your chair as close as you can to the seat (bed, etc.) to which you are transferring. If possible, use a transfer board.

CHAPTER 1: WARNINGS

5. ALWAYS lock the rear wheels using wheel locks before you transfer. This keeps the rear wheels from rolling. If your wheelchair is equipped with caster pin locks, ALWAYS lock them before you transfer. Caster pin locks keep the casters from rotating (but not from rolling). NOTE: Wheel locks and caster pin locks will NOT keep your chair from sliding away from you or tipping.
6. If your wheels have pneumatic (inflatable) tires, ALWAYS make sure to keep the tires properly inflated at all times. The wheel locks may slip if the tire pressure is low, which may cause the chair to roll unexpectedly during a transfer.
7. ALWAYS rotate the casters as far forward as possible and turn them to the seat (bed, etc.) to which you are transferring.
8. ALWAYS remove the wheelchair armrests, or swing them out of the way, so they do not impede your movement during the transfer.
9. If possible, ALWAYS remove the footrests, or swing them out of the way, to ensure your feet do not get caught between the footrests. TiLite strongly recommends that you place your feet on the floor when you are transferring to or from your chair.
10. NEVER put your weight on the footrests when you are transferring to or from your chair because this may cause the chair to tip over and/or roll away.
11. When transferring into your chair, ALWAYS transfer as far back onto your seat as possible in order to reduce the risk that the chair will tip over or move away from you causing you to fall.
12. If possible, ALWAYS try to avoid falling into your chair uncontrollably when transferring into your chair. This places undue stress on your chair's components, and if your chair does start to move or tip you will not be ready to regain control.

If you ignore these Warnings, you may fall, tip over or lose control of the wheelchair and seriously injure yourself or others or damage the wheelchair.

C. DRESSING/UNDRESSING IN YOUR CHAIR

⚠WARNING

When you engage in activities while seated in your chair such as dressing or undressing or changing your clothes, your weight will shift. Since your attention will be directed to the activity in question, your risk of falling or tipping over is increased. To reduce this risk, get dressed or undressed or change your clothes while seated in a regular chair or on a bed. If you must get dressed or undressed or change your clothes while seated in your wheelchair:

1. ALWAYS rotate the casters so they are trailing forward. This makes the chair more stable. NOTE: To get your casters to trail forward, first move your chair forward and, second, back up. By moving backward, your casters will rotate and trail forward.
2. ALWAYS lock your anti-tips in the down position so the risk of a backward tip-over is minimized. If your chair does not have anti-tips, back it up against a wall and lock both rear wheels using your wheel locks.
3. If your chair is equipped with caster pin locks, ALWAYS engage them.

If you ignore these Warnings, you may fall, tip over or lose control of the wheelchair and seriously injure yourself or others or damage the wheelchair.

D. BENDING/LEANING/REACHING

⚠WARNING

When you bend, reach or lean from your chair you will affect the center of balance of your chair. Therefore, bending, reaching or leaning may cause you to fall or tip over. In order to avoid falling or tipping over, you must determine your particular safety limitations given the configuration of your chair and your body weight and type. To do this, practice bending, reaching and leaning activities (and various combinations of such activities) under the supervision of your health care advisor. Do this BEFORE attempting active use of your chair. The following will help you avoid falling or tipping over when bending, reaching or leaning from your chair:

1. NEVER bend, reach or lean in a way that requires you to move forward in your seat.
2. ALWAYS keep your buttocks in contact with the backrest and the seat cushion when bending, reaching or leaning.
3. NEVER shift your weight in the same direction you are bending, reaching or leaning.
4. NEVER reach or lean to the rear unless your chair has anti-tips locked in place.
5. NEVER reach with both hands. By keeping one hand free, you may be able to catch yourself to prevent a fall if the chair starts to tip.

6. NEVER reach or lean over the top of the seat back. If you do so you may damage the seat back tubes, which could cause you to fall.
7. ALWAYS move your chair as close as possible to the object you are trying to reach.
8. NEVER shift your weight to the footrests.
9. NEVER try to pick up an object from the floor by reaching down between your knees. You are less likely to tip over if you reach to the side of your chair when picking up an object on the floor.
10. DO NOT lock the rear wheels when bending, reaching or leaning backward. Locking the rear wheels creates a tip point and makes falling or tipping over more likely.
11. When bending or leaning, ALWAYS grasp one rear wheel with one hand. This will help to prevent a fall if the chair starts to tip over.
12. ALWAYS rotate the casters until they are trailing forward. This will make the chair more stable. NOTE: To get your casters to trail forward, first move your chair forward past the object you want to reach and, second, back up alongside the object. By moving backward, your casters will rotate and trail forward.

If you ignore these Warnings, you may fall, tip over or lose control of the wheelchair and seriously injure yourself or others or damage the wheelchair.

E. MOVING BACKWARD

⚠WARNING

When you propel backward, you will tend to shift your weight backward, making a tip-over more likely. In addition, you may be unable to see an obstruction that could block one of your wheels and cause a tip-over. Therefore, use extreme caution when propelling backward. If you must propel backward:

1. ALWAYS propel slowly with smooth, short strokes.
2. MAKE frequent stops to check for obstructions in your path.
3. If your chair has anti-tips, ALWAYS make sure to lock them in place.

If you ignore these Warnings, you may fall, tip over or lose control of the wheelchair and seriously injure yourself or others or damage the wheelchair.

F. WHEELIES

⚠WARNING

Balancing in your chair on just the rear wheels with the casters in the air is known as doing a “wheelie.” DOING A WHEELIE IS DANGEROUS. A fall or tip-over is very likely. However, if you can do a “wheelie” safely, you may be able to overcome curbs and obstacles that would otherwise impede you.

NEVER attempt to learn to do a “wheelie” without first consulting your health care advisor to make sure you are a good candidate to learn to do a “wheelie.” NEVER attempt to learn to do a “wheelie” without an assistant that can catch you if you should happen to start to fall. NEVER attempt to learn to do a “wheelie” unless you are a skilled rider of this chair. See “Learning to do a ‘Wheelie’” on page 1-4.

If you ignore these Warnings, you may fall, tip over or lose control of the wheelchair and seriously injure yourself or others or damage the wheelchair.

G. OBSTACLES

⚠WARNING

When riding outdoors, uneven pavement, sidewalk irregularities, potholes and other obstacles and road hazards can be dangerous. When riding indoors, doorway thresholds, plush carpeting and other obstacles can be dangerous. In order to avoid these risks:

1. ALWAYS be alert for such dangers.
2. ALWAYS scan the area ahead of you as you ride.
3. REMOVE or cover threshold strips between rooms.
4. INSTALL ramps at entry or exit doors from your residence. Make sure the transition from such ramps to the pavement or other surface is smooth and does not have an abrupt drop-off.
5. ALWAYS make sure the floors where you live and work are level.

CHAPTER 1: WARNINGS

6. KEEP all floors where you live and work free of obstacles and hazards.
7. When riding UP and over an obstacle, lean your upper body slightly FORWARD.
8. When riding DOWN from a higher to a lower level, press your upper body BACKWARD lightly.
9. ALWAYS keep both hands on the handrims as you go over an obstacle.
10. NEVER push or pull on any object, such as a door knob or door jamb or furniture, in order to propel your chair.
11. If your chair has anti-tips, lock them in place before you go UP over an obstacle.

If you ignore these Warnings, you may fall, tip over or lose control of the wheelchair and seriously injure yourself or others or damage the wheelchair.

H. CURBS/STEPS

⚠WARNING

Curbs and steps are extremely dangerous obstacles.

1. NEVER attempt to go up or down a single curb or step without an assistant UNLESS:
 - a. you are a very skilled rider of your chair; and
 - b. you have previously learned to safely do a “wheelie” in your chair; and
 - c. you are sure you have the strength and balance to control your chair during any such maneuver.
2. ALWAYS unlock and rotate anti-tips up and out of the way so they do not prevent you from executing this maneuver.
3. Even if you are a highly skilled rider, NEVER attempt to climb or descend a curb or step more than 4” high.
4. ALWAYS go straight up or down a curb or step. NEVER climb or descend at an angle.
5. ALWAYS be aware that the impact of dropping down from a curb or step can damage your chair or cause components to become loose. If you perform such maneuvers, inspect your chair more frequently.

If you are not highly skilled at tilting the chair, or the step or the curb is more than 4” high, ALWAYS have an assistant help you negotiate curbs and steps. Your assistant must first read the Warnings contained in this Manual in their entirety, especially the sections titled “Climbing a Curb or Single Step”, “Climbing a Flight of Stairs”, “Descending a Curb or Single Step” and “Descending a Flight of Stairs” on pages 1-4 to 1-6.

If you ignore these Warnings, you may fall, tip over or lose control of the wheelchair and seriously injure yourself or others or damage the wheelchair.

I. HILLS/SLOPES/RAMPS

⚠WARNING

The center of balance of your chair is affected by the slope of the surface over which you are riding. Because your center of balance will be affected, your chair will be less stable when it is at an angle. This is especially true when riding on a slope sideways. Furthermore, do not assume anti-tips will prevent a fall or tip-over under these conditions. The following rules may help to avoid a fall or tip-over:

1. ALWAYS go up or down a slope, hill or ramp as straight as possible. If you try to cut the corner, you will be traversing the slope, hill or ramp sideways to the slope and your risk of tipping over sideways will increase.
2. NEVER use your chair on a slope greater than 10%—a slope with an elevation greater than one foot in height for every ten feet in length.
3. NEVER stop on a steep slope. If you stop on a steep slope, you may not be able to maintain control of the chair.
4. NEVER use rear wheel locks as a brake to slow or stop your chair. Wheel locks are NOT brakes. Doing so will most likely cause the chair to veer out of control.
5. NEVER try to turn around or change direction when going up or down a slope.
6. ALWAYS stay in the CENTER of a ramp.
7. NEVER start up or down a ramp unless you are certain the ramp is wide enough for its entire length so your wheels will not fall off the edge.
8. In order to control your speed, ALWAYS keep pressure with your hands on the handrims when going down a hill, slope or ramp. DO NOT go too fast. Excessive speed may cause you to lose control of your chair, or it may cause your casters to flutter which can cause a fall or tip-over.
9. ALWAYS lean or press your body in the UPHILL direction. This will help shift your weight to counteract the change in the center of balance caused by the hill, slope or ramp.

10. ALWAYS ask for assistance if you have any concerns at all about your ability to maintain safe control of your chair on a hill, slope or ramp.
11. ALWAYS be alert for wet or slippery conditions or surfaces, any changes in the grade of the slope (such as a lip, bump or depression), and any drop-off or lip at the bottom of a slope. For example, even a 3/4 inch lip at the bottom of a ramp can cause the casters to stop and cause the chair to tip forward.
12. Ramps at your home and work must meet all legal requirements for your area, including building codes. If you are having a ramp installed at your home or work, ALWAYS make sure it complies with local legal requirements.

If you ignore these Warnings, you may fall, tip over or lose control of the wheelchair and seriously injure yourself or others or damage the wheelchair.

J. STAIRS

⚠ WARNING

NEVER use your wheelchair on stairs without the assistance of at least two (2) able-bodied assistants or attendants and ONLY AFTER such assistants or attendants have read and understand the Warnings “Climbing a Flight of Stairs” and “Descending a Flight of Stairs” on pages 1-5 to 1-6.

If you ignore these Warnings, you may fall, tip over or lose control of the wheelchair and seriously injure yourself or others or damage the wheelchair.

K. ESCALATORS

⚠ WARNING

NEVER use your wheelchair on an escalator, not even with an assistant or attendant.

If you ignore these Warnings, you may fall, tip over or lose control of the wheelchair and seriously injure yourself or others or damage the wheelchair.

L. ASSISTANTS AND ATTENDANTS

⚠ WARNING

Before you permit any person to assist you in any aspect of riding your wheelchair, you MUST require that the assistant or attendant fully read, understand and follow the Warnings contained in this Manual.

If you ignore these Warnings, you may fall, tip over or lose control of the wheelchair and seriously injure yourself or others or damage the wheelchair.

WARNINGS REGARDING COMPONENTS AND OPTIONS

A. ANTI-TIPS

⚠ WARNING

Anti-tips are an optional accessory that can help to prevent your chair from tipping over backward. However, even the use of anti-tips will not guarantee that your chair will not tip over backward. Also, they will not prevent your chair from tipping over sideways or forward.

TiLite strongly recommends you use anti-tips with your wheelchair. This is most especially true:

1. if you are a new wheelchair rider; or
2. even if you are an experienced rider but you are switching to a new wheelchair, regardless of whether the prior chair was as lightweight as your TiLite; or
3. even if you are an experienced rider in your TiLite chair but you have made any modifications or adjustments to the configuration of your chair, such as changing the position of the front or rear wheels, changing the seat height, changing the camber or changing the seat or back angle. Any modification or change to your chair can make it easier to tip over and you should use anti-tips until you have adapted to the modified configuration; or

CHAPTER 1: WARNINGS

4. even if you are an experienced rider in your TiLite chair but your physical condition has changed.

In order to properly use your anti-tips, please follow the following rules:

1. Your anti-tips should be between 1-1/2 inches to 2 inches off the ground when they are locked in place in the “down” position.
2. If your anti-tips are set too LOW, they may “catch” on obstacles that you can expect to encounter in normal wheelchair use. If this happens, you may tip over and fall.
3. If your anti-tips are set too HIGH, their ability to prevent a backward tip-over will be limited and they may not prevent a tip-over at all.
4. ALWAYS keep your anti-tips locked in place in the “down” position unless:
 - a. You have an attendant (but your attendant must rotate the anti-tips into the “down” position whenever he or she leaves you unattended in your chair, even for a moment), or
 - b. You have to climb or descend a curb or step or overcome an obstacle. Even if this is the case, only unlock the anti-tips if you can safely climb or descend the curb or step or overcome the obstacle and make sure the anti-tips are locked in the “up” position.

If you ignore these Warnings, you may fall, tip over or lose control of the wheelchair and seriously injure yourself or others or damage the wheelchair.

B. SEAT SLINGS/CUSHIONS

⚠WARNING

TiLite seat slings (which are standard equipment) and cushions (which are optional equipment) are not designed for the relief of pressure. If you have pressure sores, or are at risk to get them, you may need a special pressure-relieving cushion or other seating system. If you have pressure sores, consult with your doctor immediately. If you are at risk to develop pressure sores or do not know if you are at risk, consult with your doctor as to the most appropriate seating system for you. TiLite has NO information about your medical condition and assumes no responsibility should you choose the wrong seating system for your medical needs. You MUST regularly check your seat sling while you are seated in your wheelchair to ensure that the tension is properly adjusted so that your weight does not cause the seat sling to touch the crosstubes beneath the seat sling.

TiLite also offers a limited number of seat cushions manufactured by other manufacturers. However, the selection of any of these products is a decision to be made by you and your doctor or therapist. TiLite has NO information about your medical condition and assumes no responsibility should you choose the wrong seating system for your medical needs.

If you ignore these Warnings, you may develop pressure sores, which can be a life-threatening complication from wheelchair use.

C. UPHOLSTERY FABRIC

⚠WARNING

1. If the fabric of your seat sling or seat back becomes worn or torn, ALWAYS replace it immediately. If you fail to do so, the seat sling or seat back upholstery may sag or fail.
2. The upholstery on your chair is flame retardant. Laundering or allowing the upholstery to become wet repeatedly will reduce the flame retardant qualities of the fabric.
3. DO NOT “drop down” into your chair. By placing undue force on the upholstery, you will weaken the fabric and it may become worn sooner than it otherwise would. If you do “drop down” into your chair on a regular basis, inspect and replace the upholstery more often.
4. The upholstery on your chair will weaken with age and use. Regularly inspect your upholstery for fraying, thin spots, or stretching of the fabric at the rivet holes.

If you ignore these Warnings, you may fall, tip over or lose control of the wheelchair and seriously injure yourself or others or damage the wheelchair.

D. SEATING SYSTEMS

⚠WARNING

TiLite does not sell any seating systems specifically designed for use with TiLite wheelchairs, nor does TiLite recommend any particular seating system. If your doctor or therapist recommends that you use a seating system with your TiLite chair, always consult with an authorized TiLite dealer to determine if the recommended seating system is compatible with your TiLite chair. In addition, the following warnings must be followed:

1. If you add a seating system to your TiLite chair, you will affect its center of balance. This may cause the chair to tip over. Therefore, NEVER install a new seating system on your own. Instead, have it installed by an authorized TiLite dealer who can assist you in making other necessary adjustments to ensure your center of balance is maintained as closely as possible to what you are used to.
2. As with other changes to the configuration of your chair that affect its center of balance, if you add a seating system to your TiLite chair, ALWAYS use anti-tips until you have fully learned to control your chair in its new configuration.
3. Keep in mind that adding a seating system also may inhibit the proper operation of a folding back wheelchair.

If you ignore these Warnings, you may fall, tip over or lose control of the wheelchair and seriously injure yourself or others or damage the wheelchair.

E. POSITIONING OR SEAT BELTS

⚠WARNING

TiLite hook & loop, non-padded seat belts and Bodypoint® non-padded hip belts, both of which are optional equipment, are intended ONLY for use as a positioning aid for simple positioning needs, such as posterior pelvic tilt. These belts will not be sufficient for persons with more involved positioning needs. Only your health care advisor can determine the proper positioning products for your situation. If used improperly, positioning or seat belts can cause severe injury or even death. If your health care advisor has instructed you to use positioning or seat belts, make sure they instruct you on the proper usage of such belts, and such professional should supervise your use of such belts to ensure you can use them safely.

1. Belts must fit snugly in order to work properly. However, they must not be so snug they interfere with your breathing. Your health care advisor should be able to slide his or her open hand flat between the belt and your body.
2. Make sure you do not slide down in your chair while wearing a belt. If this should happen, you may suffer chest compression or be suffocated due to pressure from the belt.
3. Do not use a positioning or seat belt unless you are capable of removing the belts easily in an emergency. If you cannot do this, consult with your health care advisor for other options to help with your posture.
4. There are devices that help to keep you from sliding down in the seat of your wheelchair, such as a pelvic wedge. Consult with your health care advisor to find out if you need to use such a device in conjunction with positioning or seat belts to mitigate the risks described above.
5. NEVER use positioning or seat belts as a motor vehicle restraint. These types of belts are NOT intended to protect the wheelchair rider from the forces involved in a vehicle accident, and they may, in fact, cause you to be injured. TiLite recommends wheelchair users ALWAYS transfer to appropriate motor vehicle seating when traveling in a motor vehicle.

Note to Attendants/Assistants: NEVER use positioning or seat belts as a patient restraint (a restraint requires a doctor's order) or on a wheelchair user who is comatose or agitated.

If you ignore these Warnings, you may fall, tip over or lose control of the wheelchair and seriously injure yourself or others or damage the wheelchair.

F. ARMRESTS

⚠WARNING

Armrests are optional equipment on TiLite wheelchairs. TiLite armrests are detachable and are not designed to support the weight of your wheelchair. Therefore, NEVER lift your chair by its armrests. If you do, they may detach, causing you to drop the chair, or you may break the armrests or cause them to become loose and break at a later time unexpectedly. ALWAYS lift your chair by grasping the non-detachable parts of the main frame (not including the swing away hangers or backrests).

If you ignore these Warnings, you may fall, tip over or lose control of the wheelchair and seriously injure yourself or others or damage the wheelchair.

CHAPTER 1: WARNINGS

G. FOOTRESTS/HANGERS

⚠ WARNING

Certain footrests are standard equipment with TiLite wheelchairs. Other, more specialized footrests are optional equipment. The following rules apply to footrests:

1. ALWAYS allow for AT LEAST 2 inches of clearance between the ground and the lowest point on the underside of your footrests. If you set your footrests too LOW, they may “catch” on obstacles you can expect to find in normal use of your chair. If your footrests “catch,” the chair may stop and tip forward.
2. NEVER lift your wheelchair by grasping the footrests or the swing away hangers. Footrests and swing away hangers are detachable and are not designed to support the weight of your chair. If you do, the footrests or the swing away hangers may detach, causing you to drop the chair, or you may break the footrests or the swing away hangers or cause them to become loose and break at a later time unexpectedly.
3. READ and understand the warnings under “Transferring In and Out of Your Wheelchair” on pages 1-7 to 1-8 of this Manual. There is important information in that section regarding your footrests and transfers.

If you ignore these Warnings, you may fall, tip over or lose control of the wheelchair and seriously injure yourself or others or damage the wheelchair.

H. REAR WHEELS

⚠ WARNING

Rear wheels are standard components on your wheelchair. The positioning of the rear wheels is a critical factor in locating the center of balance of your chair. Any change to your rear wheel position will change your center of balance. Therefore, use extreme caution when making any adjustment to the position of your rear wheels.

1. As you move the rear wheels and axles forward on your chair, you shift the center of balance FORWARD. This means it is easier for your chair to tip over backward.
2. As you move the rear wheels and axles backward on your chair, you shift the center of balance BACKWARD. This means your chair is less likely to tip-over backward. However, even if your rear wheels and axles are set as far back as possible, the chair can still tip-over backward.
3. ALWAYS consult with your health care provider to determine the best rear wheel/axle setup for you based on your weight and body type and your abilities to control the chair.
4. Once you and your health care provider have determined the best rear wheel/axle setup for you, NEVER change the setup UNLESS you are sure you are not at risk to tip over.
5. If you do change the rear wheel/axle position, you MUST adjust the positioning of the rear wheel locks to ensure they work properly to lock the rear wheels. When relocating the rear wheel locks, make sure the locking arm indents the tire by at least 3/16” when the wheel lock is in the “locked” position.

If you ignore these Warnings, you may fall, tip over or lose control of the wheelchair and seriously injure yourself or others or damage the wheelchair.

I. AXLES

⚠ WARNING

Stainless quick-release axles are a standard TiLite wheelchair component. Other axle types are optional equipment. All TiLite axles are designed to make your rear wheels easy to remove quickly. However, if not used properly, they can be dangerous.

NEVER use your chair UNLESS you are sure that both rear axles are locked into place in the axle receiver. If an axle is not fully locked into place, the rear wheel may come off during use of the chair and cause you to fall. You can tell when the axle is locked into place because the quick-release button in the center of the axle will pop out fully. It is also a good idea to pull on the wheel to double-check that the axle is securely locked as a final precaution.

If you ignore these Warnings, you may fall, tip over or lose control of the wheelchair and seriously injure yourself or others or damage the wheelchair.

J. PNEUMATIC TIRES

⚠ WARNING

Pneumatic rear tires are standard components on TiLite wheelchairs. Pneumatic front tires are optional equipment on some TiLite wheelchairs.

With pneumatic tires, it is important to maintain the proper inflation. Maintaining the proper inflation will extend the life of your tires and will reduce the rolling resistance of your chair, making it easier to use.

1. Check your tires WEEKLY for proper inflation. The correct inflation level is imprinted on the tire sidewall.
2. DO NOT use your chair if any of the pneumatic tires are under-inflated or over-inflated.
3. If any tire is under-inflated, the chair may tend to veer to one side, which could cause you to lose control of the chair.
4. If a rear tire is under-inflated, the wheel lock for that wheel may not work properly and may slip, thereby allowing the wheel to turn unexpectedly.
5. An over-inflated tire may burst, thereby causing a loss of control of the chair.
6. ALWAYS have pneumatic tire inner tubes replaced by an authorized TiLite dealer.

If you ignore these Warnings, you may fall, tip over or lose control of the wheelchair and seriously injure yourself or others or damage the wheelchair.

K. REAR WHEEL LOCKS

⚠ WARNING

Standard rear wheel locks are available on all TiLite wheelchairs as a no-charge option. Scissor locks and uni-locks are optional equipment. TiLite wheel locks are NOT designed to slow or stop a moving wheelchair - they are NOT brakes. Wheel locks are ONLY designed to keep the rear wheels from rolling when your chair is at a complete stop.

1. NEVER attempt to “brake” by using rear wheel locks to try to slow or stop your chair when it is moving. If you do so, you will lose control of the chair and may fall.
2. ALWAYS make sure the locking arm of your wheel lock embeds into the tire at least 3/16” when in the locked position. If the wheel lock does not properly embed in the tire, the wheel lock may not work and the chair may roll unexpectedly.
3. ALWAYS maintain proper tire pressure. If a rear tire is under-inflated, the wheel lock for that wheel may not work properly and may slip, thereby allowing the wheel to turn unexpectedly.
4. When you transfer to or from your chair, ALWAYS set both rear wheel locks to prevent the rear wheels from rolling.

If you ignore these Warnings, you may fall, tip over or lose control of the wheelchair and seriously injure yourself or others or damage the wheelchair.

L. CASTER PIN LOCKS

⚠ WARNING

Caster pin locks are an optional accessory for TiLite wheelchairs. Caster pin locks are not designed to slow or stop a moving wheelchair - they do not prevent the casters from rotating on the axis of the axle. Caster pin locks are ONLY designed to keep the casters from rotating on the axis of the stem bolt when your chair is at a complete stop. In other words, properly engaged caster pin locks will not stop the chair from rolling, but will stop it from turning.

1. ALWAYS make sure the locking pin on your caster pin locks fully engages with the casters. If the caster pin lock does not properly engage, the caster pin lock may not work properly and the casters may rotate causing the chair to turn unexpectedly.
2. When you transfer to or from your chair, ALWAYS set both rear wheel locks and both caster pin locks to prevent the rear wheels from rolling and casters from rotating.

If you ignore these Warnings, you may fall, tip over or lose control of the wheelchair and seriously injure yourself or others or damage the wheelchair.

CHAPTER 1: WARNINGS

M. PUSH HANDLES

⚠WARNING

Push handles are optional equipment on TiLite wheelchairs. Push handles provide secure points for an attendant or assistant to hold the rear of the chair to prevent a fall or tip-over. If you have an attendant or assistant, you should have push handles installed on your chair by TiLite. TiLite offers push handles that are integral to the back canes and bolt-on push handles. TiLite recommends that you do NOT use non-TiLite bolt-on push handles because they will damage the backrest of your TiLite chair. Your attendant or assistant should regularly check the push handle grips to make sure they fit securely and will not rotate or slip off. Push handles should NEVER be used to lift the chair or pull the chair, especially when it is occupied, as they may detach. ALWAYS lift or pull the chair by grasping a non-detachable part of the frame (not the backrest, armrest or footrest).

If you ignore these Warnings, you may fall, tip over or lose control of the wheelchair and seriously injure yourself or others or damage the wheelchair.

N. FASTENERS

⚠WARNING

TiLite uses only high-strength, high quality fasteners (nuts, bolts, screws and clamps) on its wheelchairs. If you replace any of these fasteners with improper or inferior fasteners, you may damage your chair or may cause it to fail unexpectedly.

1. ALWAYS use fasteners obtained from an authorized TiLite dealer.
2. REGULARLY inspect all fasteners to make sure they have not become loose. If any become loose, tighten them immediately.
3. NEVER over- or under-tighten the fasteners on your chair. Over-tightened or under-tightened fasteners may damage your chair or fail unexpectedly.

If you ignore these Warnings, you may fall, tip over or lose control of the wheelchair and seriously injure yourself or others or damage the wheelchair.

O. POWER DRIVE

⚠WARNING

Certain manufacturers offer manual wheelchair power drive add-on products. TiLite has approved only a limited number of these products for use with TiLite wheelchairs. For more information about power add-ons approved by TiLite, contact TiLite Customer Service.

If you intend to install an approved power drive system on your TiLite chair, this must be taken into account when your chair is ordered so TiLite can manufacture your chair with a power-adaptable frame.

If you have not purchased your TiLite chair with a power adaptable frame, do not install a power drive on your TiLite chair. If you install a power drive add-on system to your TiLite chair and your chair does not have a power adaptable frame, you may damage your chair and you will void your warranty.

In addition, power drive systems are heavy and will affect the center of balance of your chair. Any change to the center of balance of your chair could cause you to lose control or fall or tip-over.

If you ignore these Warnings, you may fall, tip over or lose control of the wheelchair and seriously injure yourself or others or damage the wheelchair.

P. UNAUTHORIZED PARTS AND ACCESSORIES

NEVER use parts, accessories or adapters other than those authorized by TiLite. If you have any doubt about the compatibility of a particular part, accessory or adapter, consult with an authorized TiLite dealer or contact TiLite Customer Service.

If you ignore these Warnings, you may fall, tip over or lose control of the wheelchair and seriously injure yourself or others or damage the wheelchair.

CHAPTER 2: SAFETY INSPECTION, MAINTENANCE & TROUBLESHOOTING

Introduction

Your TiLite wheelchair is designed, engineered and built to provide you with years of exceptional performance. However, proper maintenance and regular safety inspections are essential in order to make sure your wheelchair is operating properly, safely and at maximum efficiency. In addition, proper maintenance and regular safety inspections will extend the life of your TiLite wheelchair.

Safety Inspections and Maintenance

⚠ WARNING

If you fail to inspect and maintain your wheelchair as directed in this Manual, you will be at risk for health complications or you may fall, tip over or lose control of your wheelchair and seriously injure yourself or others or damage the wheelchair.

⚠ WARNING

After making ANY adjustments or repairs to your wheelchair and after any servicing of your wheelchair, ALWAYS make sure all attachment hardware is tightened securely BEFORE using the chair. *If you ignore this Warning, you may fall, tip over or lose control of your wheelchair and seriously injure yourself or others or damage the wheelchair.*

1. You MUST inspect and maintain your TiLite wheelchair strictly in accordance with the following chart.
2. If your inspection uncovers any problem, make sure to service or repair the problem BEFORE using the wheelchair.
3. If your inspection reveals any loose, worn, bent or damaged parts, you MUST tighten, repair or replace them before using your TiLite wheelchair.
4. Clean your wheelchair ONLY in accordance with the instructions under “Cleaning” on page 2-3.
5. Annually, or more often if necessary, you MUST have your wheelchair serviced and thoroughly inspected by a qualified TiLite dealer.
6. In addition to the maintenance and safety inspections indicated in the chart below, ALWAYS make sure that all nuts and bolts are tight before riding in your wheelchair.

Inspection Item	Initially	Weekly	3 Months
General <ul style="list-style-type: none"> • Make sure chair rolls straight (does not drag or pull to one side) • Inspect for loose/missing/broken/worn/damaged hardware 	<p style="text-align: center;">√</p> <p style="text-align: center;">√</p>	<p style="text-align: center;">√</p> <p style="text-align: center;">√</p>	
Rear Wheels <ul style="list-style-type: none"> • Inspect for cracked, bent or broken spokes • Make sure all spokes are uniformly tight • Inspect hubs and rims for cracks and wear • Inspect for “trueness” (excessive side movement when wheel lifted and spun indicates lack of “trueness”) 	<p style="text-align: center;">√</p> <p style="text-align: center;">√</p> <p style="text-align: center;">√</p> <p style="text-align: center;">√</p>	<p style="text-align: center;">√</p> <p style="text-align: center;">√</p>	<p style="text-align: center;">√</p> <p style="text-align: center;">√</p>
Quick-Release/Quad-Release Axles <ul style="list-style-type: none"> • Make sure axles are free of dirt and lint • Wipe axle with cloth using either a “dry” silicone spray or a “dry” Teflon®-based lubricant • Make sure that axles lock properly in axle sleeve 	<p style="text-align: center;">√</p> <p style="text-align: center;">√</p>	<p style="text-align: center;">√¹</p>	<p style="text-align: center;">√</p> <p style="text-align: center;">√</p>
Rear Tires <ul style="list-style-type: none"> • Check for proper inflation as per sidewall of pneumatic tire • Inspect for cracks, wear and flat spots 	<p style="text-align: center;">√</p> <p style="text-align: center;">√</p>	<p style="text-align: center;">√</p> <p style="text-align: center;">√</p>	

¹You MUST make sure that axle locks properly in the axle sleeve every time you remove and reinstall a rear wheel, and you should verify this at least weekly.

CHAPTER 2: SAFETY INSPECTION, MAINTENANCE & TROUBLESHOOTING

Inspection Item	Initially	Weekly	3 Months
Camber Tube/Axle Sleeves <ul style="list-style-type: none"> • Make sure camber plug clamps are securely tightened • Make sure camber plugs are secure in camber plug clamps and axle sleeves are secure in camber plugs 	√ √	√ √	
Handrims <ul style="list-style-type: none"> • Inspect for signs of rough edges or peeling • Make sure handrims are securely attached to rim 	√ √		√ √
Wheel Locks <ul style="list-style-type: none"> • Make sure wheel locks embed proper distance into tire and prevents chair from moving when engaged • Make sure wheel locks do not interfere with tire when disengaged • Make sure pivot points are free of wear and looseness 	√ √ √	√ √ √	
Seat Sling and Back Upholstery <ul style="list-style-type: none"> • Inspect for rips or sagging • Inspect fastening flaps to ensure they are securely attached • Inspect while seated to ensure sling supports your weight and does not touch crosstubes 	√ √ √	√ √	√
Casters/Forks <ul style="list-style-type: none"> • Inspect wheels and tires for cracks and wear • Inspect wheel/fork assembly for proper tension by spinning caster (caster should come to a gradual stop); if caster wobbles, tighten the axle • Inspect wheel/fork assembly/stem bolt to ensure that stem bolt is secure (wheel/fork assembly should not have excessive play relative to the stem bolt but should rotate freely); if necessary, tighten the stem bolt • Ensure that wheel bearings are clean and free from moisture • If pneumatic, check for proper inflation as per the sidewall 	√ √ √ √ √	√ √ √	√ √
Armrests <ul style="list-style-type: none"> • Inspect to ensure that all hardware is securely attached 	√	√	
Footrests/Hangers <ul style="list-style-type: none"> • Inspect to ensure that all hardware is securely attached 	√	√	
Anti-tips <ul style="list-style-type: none"> • Inspect anti-tip wheel for cracks and wear • Inspect to ensure that anti-tip receiver is securely attached 	√ √	√	√
Frame <ul style="list-style-type: none"> • Inspect for cracks 	√		√

CHAPTER 2: SAFETY INSPECTION, MAINTENANCE & TROUBLESHOOTING

Cleaning

Clean your chair regularly. Cleaning often will reveal loose or worn parts and enhance the smooth operation of your chair.

Cleaning the Frame

1. If your titanium frame came with a “Satin” finish, use a soft cloth to clean the finish. If necessary, moisten the cloth with glass cleaner. If the “Satin” finish of your chair becomes scratched, you can buff out the scratch using the grey, ultra fine Scotch Brite™ pad that was shipped with your chair. Moisten the pad with water and rub it over the scratch in a circular motion. After buffing, wipe off the buffed area using a soft cloth moistened with glass cleaner or wood furniture polish.

Note: Do NOT use a Scotch Brite™ pad on the logo, and NEVER use steel wool to clean your frame.

Note: Over-the-counter Scotch Brite™ pads will not work as effectively as the grey, ultrafine Scotch Brite™ pad that shipped with your chair. If you have misplaced the grey, ultrafine Scotch Brite™ pad, contact TiLite Customer Service to purchase a replacement.

2. If your titanium chair came with a “Polished” finish, use a soft cloth to clean the finish. If necessary, moisten the cloth with glass cleaner.

Note: NEVER use Scotch Brite™ pads or steel wool on a polished frame.

3. If your chair has a painted frame, use a soft clean cloth with soap and water to clean the frame. Immediately dry all components and parts that become wet.

Note: Do NOT use Scotch Brite™ pads, steel wool, abrasive cleaners or petroleum-derived products to clean a painted aluminum or titanium frame.

Cleaning the Crosstubes

Use a soft clean cloth with soap and water to clean the painted aluminum crosstubes. Immediately dry the crosstubes and all components and parts that become wet.

Note: Do NOT use Scotch Brite™ pads, steel wool, abrasive cleaners or petroleum-derived products to clean painted aluminum crosstubes.

Cleaning the Upholstery

1. Regularly hand-wash the seat sling and back upholstery using water and a mild detergent. Always allow the upholstery to air dry before riding in the chair.
2. NEVER machine wash the upholstery, and NEVER machine dry the upholstery.
3. When washing the upholstery, carefully check for sagging, rips or tears. If you find any rips or tears, you MUST order new upholstery.
4. After washing the seat sling, always check the tension while seated in the chair to ensure the sling does not touch the cross tubes beneath the seat sling.

Axles and Moving Parts

Clean axles and other moving parts weekly with a slightly damp cloth. The cloth should not be wet. Try to wipe away any lint, dust or dirt on these parts that could interfere with their smooth operation. DO NOT use WD-40®, 3-in-1 oil®, or other penetrating lubricants on quick-release or quad release axles. Instead, as indicated in the chart under “Safety Inspections and Maintenance”, ALWAYS use either a “dry” Teflon®-based lubricant or a “dry” silicone spray as a lubricant.

Storage

1. Always store your chair in a clean, dry location. Excessive dirt can cause moving parts to become damaged or fail. Moisture can rust or corrode the non-titanium components of your chair.
2. Always fully inspect your chair after it has been stored for any period of time before riding in it. See the chart under “Safety Inspections and Maintenance” on pages 2-1 to 2-2.
3. If you store your chair for more than three (3) months, have your chair inspected by an authorized TiLite supplier.

CHAPTER 2: SAFETY INSPECTION, MAINTENANCE & TROUBLESHOOTING

Troubleshooting

Your TiLite wheelchair is a precision-engineered product. To ensure your chair continues to operate at peak performance, you will need to make minor adjustments from time to time—especially if you alter the original factory settings. The chart below provides advice on solving some of the more common “adjustment” issues you may experience. If the solutions below do not solve your problem or if you experience a problem not addressed below, please contact an authorized TiLite supplier or TiLite Customer Service. Please note, if more than one solution in the chart below applies to your particular adjustment issue, always try one solution at a time until the problem is solved.

Chair Veers Right or Left	Caster Flutter	Looseness in Chair	Squeaks and Rattles	Sluggish Turning or Performance	Floating Caster	Solution
√	√			√	√	If you have pneumatic front and/or rear tires, make sure that the tires are properly and equally inflated
	√	√	√	√		Make sure that all nuts and bolts are securely tightened
		√	√			Make sure that all spokes and nipples are uniformly tight on all spoked wheels
√	√			√	√	Make sure that caster barrels and mounts are properly adjusted
	√	√	√	√		Make sure that rear wheels are equally spaced away from the seat frame
√				√		Adjust the toe-in/toe-out of the rear wheels
					√	Make sure that both sides of the footrest are set at an equal distance from the floor

⚠️ WARNING

Check all clamps, screws, nuts and bolts that secure the footrest to the wheelchair frame to make sure they are securely tightened before using the wheelchair. *If you ignore this Warning, the footrests could move unexpectedly while you are using the chair, causing you to fall, tip over or lose control of the wheelchair and seriously injure yourself or others or damage the wheelchair.*

⚠️ WARNING

A calf strap or heel loop is offered as an option with each wheelchair to prevent your feet from slipping backwards off of the footrest. TiLite recommends that you purchase our calf strap or our heel loops with your wheelchair. Always make sure the calf strap is, or heel loops are, secure when using the wheelchair. *If you ignore this Warning, you could fall, tip over or lose control of the wheelchair and seriously injure yourself or others or damage the wheelchair.*

⚠️ WARNING

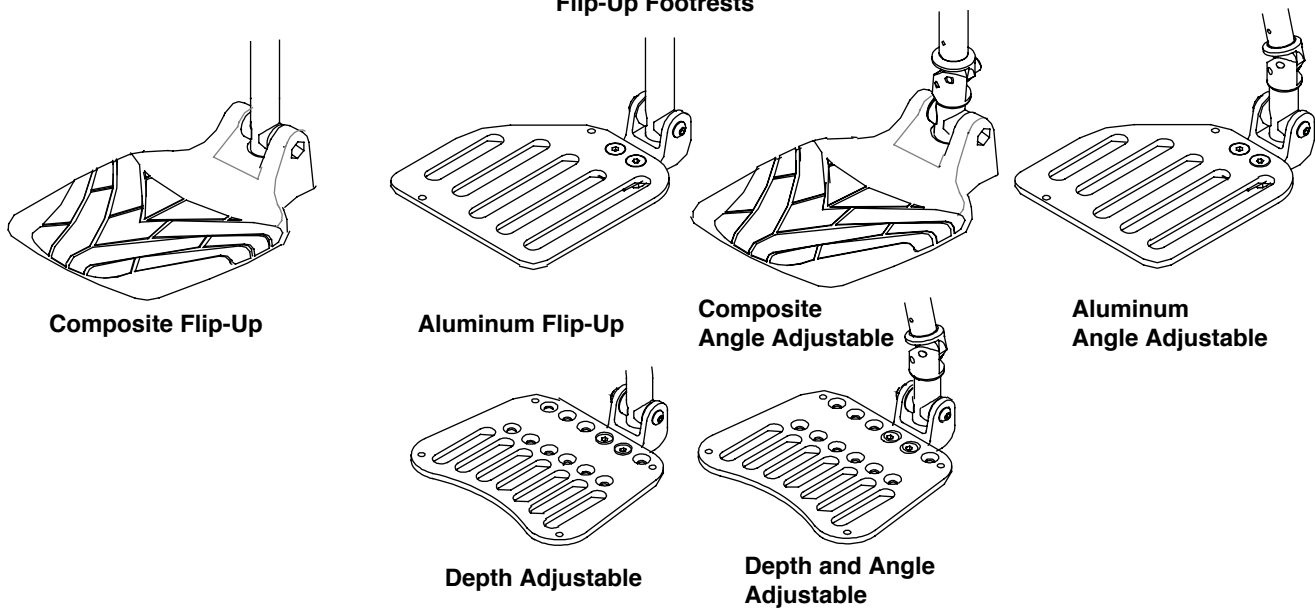
Whenever you adjust the angle or height of your footrest, or you replace your footrest, always allow at least 2" of ground clearance to permit you to maneuver over objects. *If you ignore this Warning, you could fall, tip over or lose control of the wheelchair and seriously injure yourself or others or damage the wheelchair.*

Flip-Up Footrest; Angle Adjustable Flip-Up Footrest; Depth Adjustable Flip-Up Footrest; and Depth and Angle Adjustable Flip-Up Footrest

If you are unsure which type of flip-up footrest is installed on your chair, see Figure 3-1.

Note: If your chair has 90° hangers (see Figure 3-9), see “90° Hanger Flip-Up Footrests; 90° Hanger Depth Adjustable Flip-Up Footrests” on page 3-5 or “90° Hanger Depth and Angle Adjustable Flip-Up Footrests” on page 3-6.

Figure 3-1
Flip-Up Footrests



Adjusting the Height/Replacing

Tools Needed:

- 1/8" Allen Wrench
- Ruler

1. Loosen but do not remove the two Allen screws that engage the T-Nuts to the clamps that secure the footrest to the frame. See Figure 3-2. Loosen the Allen screws just enough to permit the extension tube to slide up and down within the cover.
2. If replacing the footrest, remove the old footrest and insert the new extension tube through the cover and into the frame.
3. Place the end of a ruler on the floor and hold it vertically against the corner of the footrest. See Figure 3-3. Adjust the footrest to the desired height (not less than 2" of ground clearance) and tighten the Allen screws in the clamp so the footrest height cannot change.

CHAPTER 3: FOOTRESTS

Figure 3-2
Replacing the Footrest

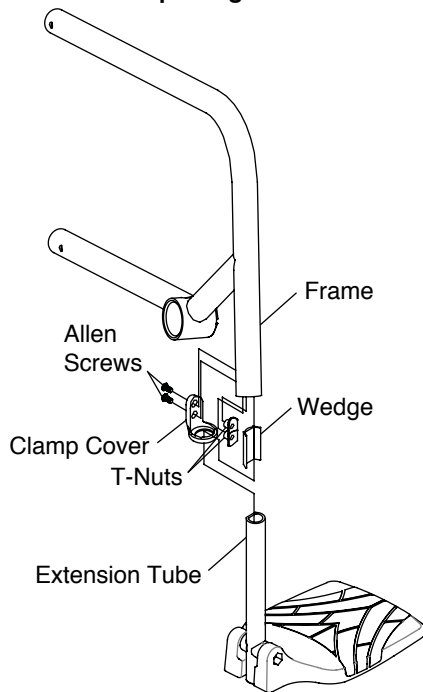
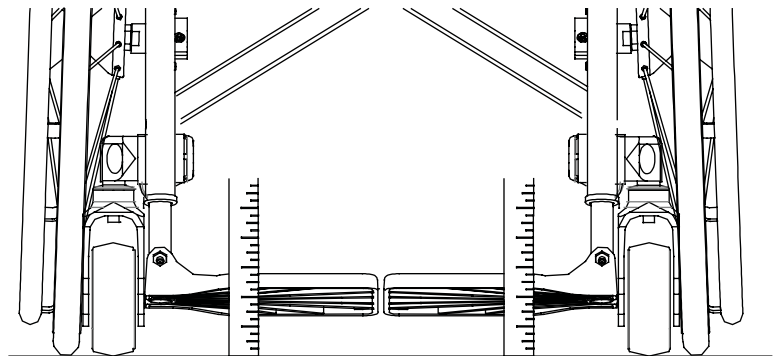


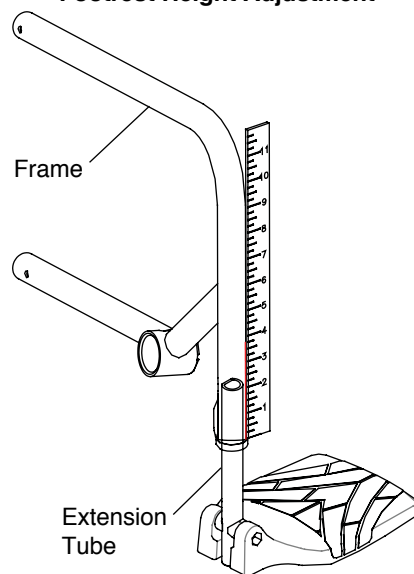
Figure 3-3
Footrest Height Adjustment



Note: When adjusting the height of the footrest, make sure that at least 1-3/4" of the extension tube remains up inside the frame tube. See Figure 3-4.

4. Repeat the procedure from Step 2 on the opposite side of the footrest.
5. When both sides are set at an equal distance from the floor, securely tighten the two Allen screws into the two T-Nuts securing the footrest to the inside of the frame, making sure the clamp covers remain securely butted up against the end of the frame tube.

Figure 3-4
Footrest Height Adjustment



Adjusting the Angle

Tools Needed:

- 3/16" Allen Wrench
- 5/32" Allen Wrench

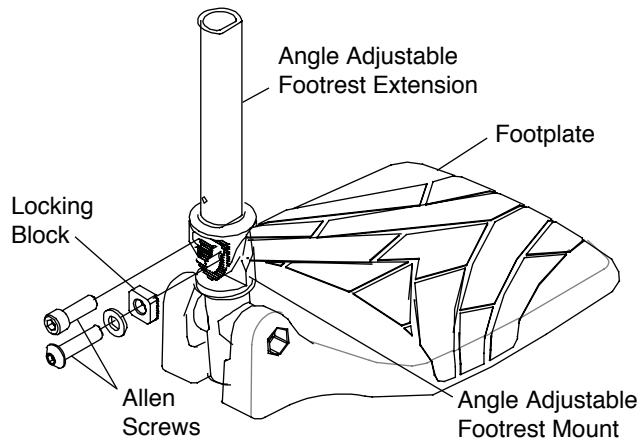
If your flip-up footrest is angle adjustable, you can adjust the angle as follows:

1. Loosen the two Allen screws that clamp the angle adjustable footrest extension to the angle adjustable footrest mount. See Figure 3-5.
2. Adjust the angle of the footrest to the desired angle.
3. Securely tighten the two Allen screws that clamp the angle adjustable footrest extension to the angle adjustable footrest mount, making sure the teeth on the locking block are properly engaged to prevent the footrest from moving.

⚠ WARNING

The threads on the Allen screws that secure the angle adjustable footrest extension to the angle adjustable footrest mount are treated with Vibra-TITE® VC-3, a locking and sealing coating. You should be able to adjust the angle of the footrest four times without reapplying the coating. TiLite requires that you reapply Vibra-TITE® VC-3 after every fourth adjustment. *If you ignore this Warning, your footrest could become loose or fall off and you could fall, tip over or lose control of the wheelchair and seriously injure yourself or others or damage the wheelchair.*

Figure 3-5
Angle Adjustable Footrest Extension



Adjusting the Depth

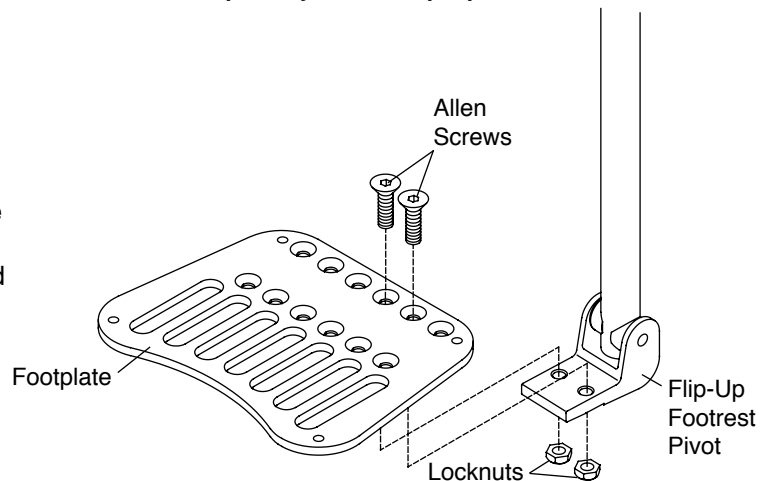
Tools Needed:

- 5/32" Allen Wrench
- 7/16" Open End Wrench

If your flip-up footrest is depth adjustable, you can adjust the depth as follows:

1. Remove the Allen screws and locknuts that attach the footplate to the flip-up footrest pivot. See Figure 3-6.
2. Move the footplate forward or backward to the desired depth setting.
3. Reinstall and securely tighten the Allen screws and locknuts.

Figure 3-6
Depth Adjustable Flip-Up Footrest



High Mount Flip-Up Footrest; Angle Adjustable High Mount Flip-Up Footrest; Depth Adjustable High Mount Flip-Up Footrest; and Depth and Angle Adjustable High Mount Flip-Up Footrest

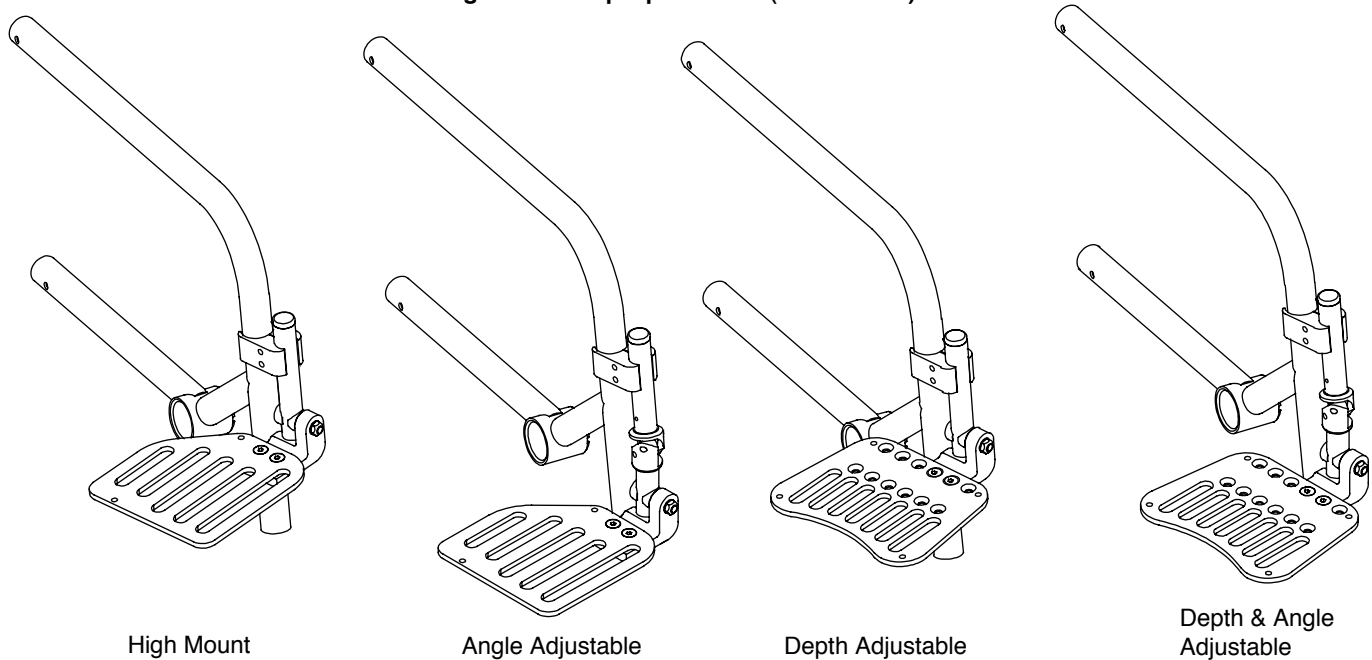
Note: Dependent upon the seat to footrest measurement, your swing away high mount footrest may be assembled with the extension tube positioned inside the hanger. See Figure 3-2. If so, follow the procedures under "Adjusting the Height/Replacing" on pages 3-1 and 3-2.

CHAPTER 3: FOOTRESTS

If you are unsure which type of High Mount Flip-Up Footrest is installed on your chair, see Figure 3-7.

Note: If your chair has 90° hangers, see “90° Hanger Flip-Up Footrests; 90° Hanger Depth Adjustable Flip-Up Footrests” on page 3-5 or “90° Hanger Depth and Angle Adjustable Flip-Up Footrests” on page 3-6.

Figure 3-7
High Mount Flip-Up Footrest (Fixed Front)



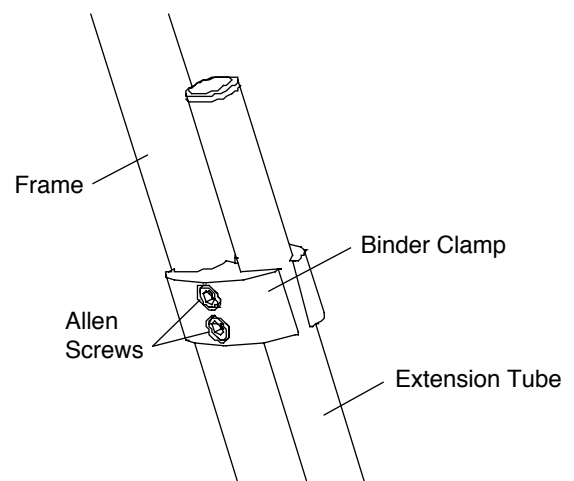
Adjusting the Height/Replacing

Tools Needed:

- 3/16" Allen Wrench
- Ruler

1. Loosen the two Allen screws through the binder clamp that secures the extension tube to the frame. See Figure 3-8.
2. Raise or lower the extension tube to the desired height (not less than 2" of ground clearance).
3. If replacing the entire footrest assembly, remove the extension tube and flip-up footrest assembly completely and reattach a new extension tube and footrest assembly at the desired height (not less than 2" of ground clearance).
4. When both of the footrests on both sides of the chair are adjusted to the desired height, securely tighten the two Allen screws through the binder clamp that secures the extension tube to the frame.

Figure 3-8
Height Adjustments on High Mount Flip-Up Footrest



Adjusting the Angle or Depth

If your high mount flip-up footrest is angle or depth adjustable, you can adjust the angle or depth by using the tools and following the procedures for adjusting the angle or depth of a flip-up footrest as set forth under “Flip-Up Footrest; Angle Adjustable Flip-Up Footrests; Depth Adjustable Flip-Up Footrests; and Depth and Angle Adjustable Flip-Up Footrests” on pages 3-1 to 3-3.

90° Hanger Flip-Up Footrests; 90° Hanger Depth Adjustable Flip-Up Footrests

Adjusting the Height/Replacing

Tools Needed:

- 5/32" Allen Wrench
- 7/16" Open End Wrench
- Ruler

1. Remove the Allen screw that secures the bracket to the hanger. See Figures 3-9 or 3-10. Make sure to note the order in which you remove the various washers and nuts when removing the Allen screw.
2. Reposition the bracket to the desired height, lining up the hole in the bracket with a hole in the hanger.
3. Reinsert the Allen screw through the various washers, the bracket, the hanger and the locknut. Securely tighten.

Figure 3-9
90° Hanger Flip-Up Footrest

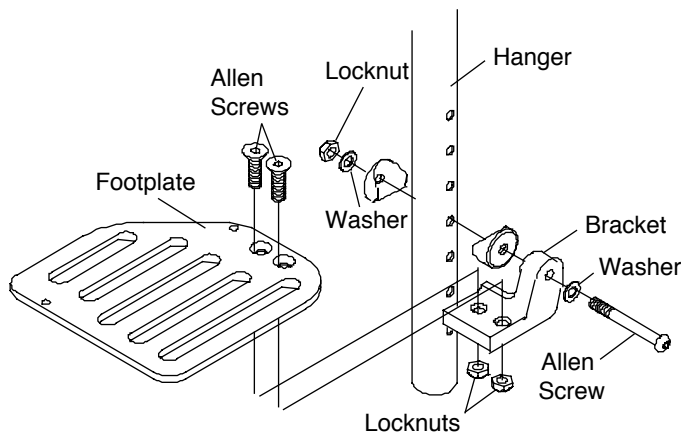
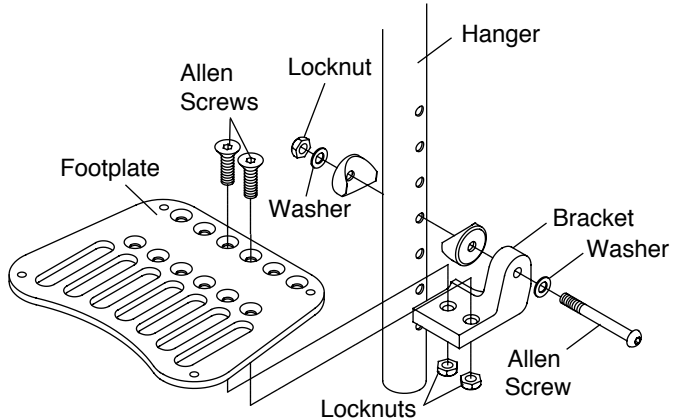


Figure 3-10
90° Hanger Depth Adjustable Flip-Up Footrest



Adjusting the Depth

Tools Needed:

- 5/32" Allen Wrench
- 7/16" Open End Wrench

1. Remove the two Allen screws and locknuts that secure the footplate to the bracket. See Figure 3-10.
2. Reposition the footplate to the desired depth.
3. Reinsert and securely tighten the two Allen screws and locknuts.

90° Hanger Depth and Angle Adjustable Flip-Up Footrests

Adjusting the Height/Replacing

Tools Needed:

- 5/32" Allen Wrench
- 7/16" Open End Wrench

1. Remove the Allen screw that secures the angle adjustable bracket to the hanger. See Figure 3-11. Make sure to note the order in which you remove the various washers and locknut when removing the Allen screw.
2. Reposition the angle adjustable bracket to the desired height, lining up the holes in the angle adjustable bracket with the holes in the hanger.
3. Reinsert the Allen screw through the various washers, the angle adjustable bracket, the hanger and the locknut. Securely tighten.

CHAPTER 3: FOOTRESTS

Adjusting the Angle

Tools Needed:

- 5/32" Allen Wrench
- 7/16" Open End Wrench

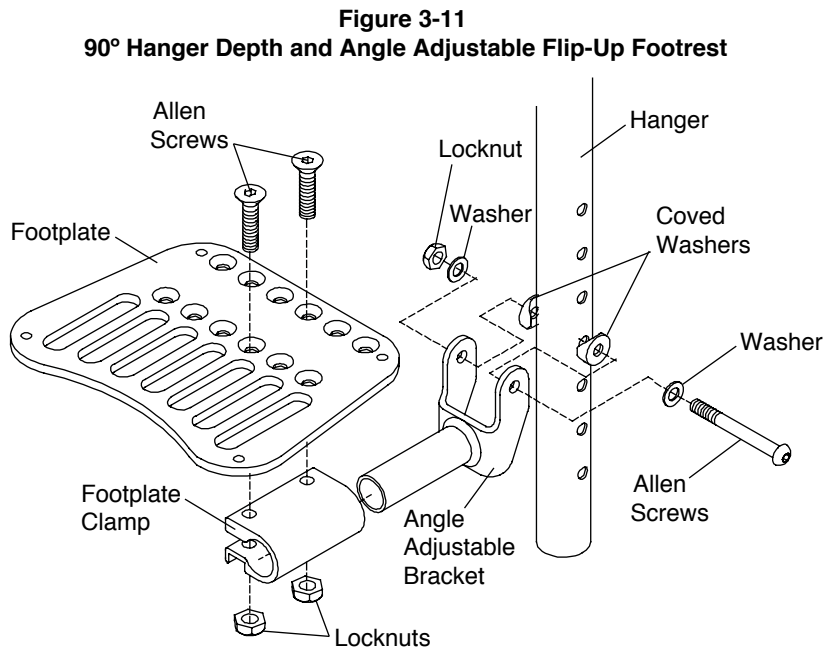
1. Loosen the two Allen screws and locknuts that secure the footplate to the footplate clamp. See Figure 3-11.
2. Reposition the footplate to the desired angle.
3. Securely tighten the two Allen screws and locknuts.

Adjusting the Depth

Tools Needed:

- 5/32" Allen Wrench
- 7/16" Open End Wrench

1. Remove the two Allen screws and locknuts that secure the footplate to the footplate clamp. See Figure 3-11.
2. Reposition the footplate to the desired depth.
3. Reinsert the two Allen screws through the footplate, the footplate clamp and the locknuts.
4. Securely tighten the two Allen screws and locknuts.



Swing Away Hangers

The swing away hangers can be rotated inward or outward to be removed or positioned out of the way.

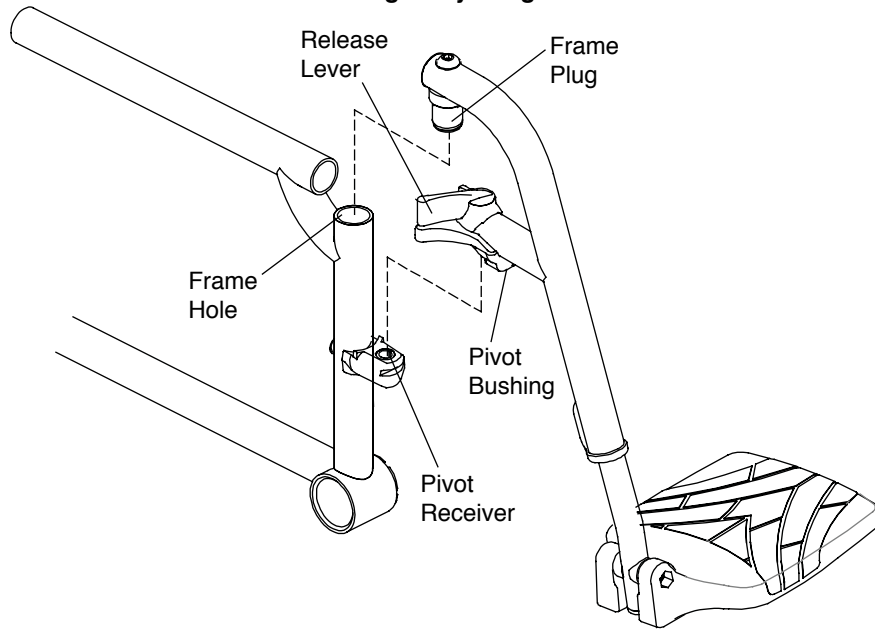
To swing the hanger inward or outward, push the release lever and push the hanger inward or outward. See Figure 3-12.

To remove the hanger from the wheelchair swing it outward and pull it upward.

To replace the hanger on the frame:

1. Align the frame plug with the frame hole.
2. Holding the hanger, not the release lever, swing the hanger until the pivot bushing locks into place in the pivot receiver.

Figure 3-12
Swing Away Hanger



1-Piece, Over-Center Folding Footrest

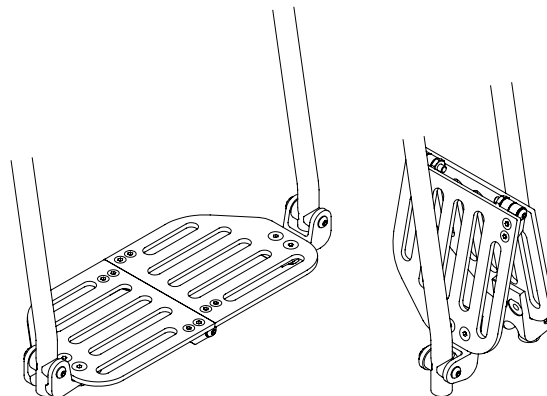
Note: The 1-Piece, Over-Center Folding Footrest is not available on 2GX or Aero X chairs with swing away hangers.

Adjusting the Height/Replacing

You can adjust the height of, or replace, the footrest by using the tools and following the procedures for adjusting the height of, or replacing, a flip up footrest as set forth under “Flip-Up Footrest; Angle Adjustable Flip-Up Footrest; Depth Adjustable Flip-Up Footrest; and Depth and Angle Adjustable Flip-Up Footrest” on pages 3-1 to 3-3.

Note: In following those procedures, it will be necessary to adjust both sides of the frame simultaneously because the left and right footrests are attached to operate as a 1-piece footrest. See Figure 3-13.

Figure 3-13
1-Piece Over-Center Footrest



Adjusting the Angle

You can adjust the height and the angle of the footrest by using the tools and following the procedures for adjusting the angle of the Angle Adjustable Flip-Up Footrest as set forth under “Flip-Up Footrest; Angle Adjustable Flip-Up Footrest; Depth Adjustable Flip-Up Footrest; and Depth and Angle Adjustable Flip-up Footrest” on pages 3-1 to 3-3.

Note: In following those procedures, it will be necessary to adjust both sides of the frame simultaneously because the left and right footrests are attached to operate as a 1-piece footrest. See Figure 3-13.

CHAPTER 3: FOOTRESTS

1-Piece Flip-Up Footrest

The 1-Piece Flip-Up Footrest can be lifted up completely. See Figure 3-15.

Note: When returning the footrest to the down position, make sure that the latch properly engages with the latch spacer. See Figure 3-14.

⚠ WARNING

If you have leg spasticity that requires that your feet be secured to the footrest, you should not use a 1-Piece Flip-Up Footrest because the latch mechanism does not lock to prevent inadvertent disengaging. If your feet are secured to the footrest and you unintentionally lift your feet, you may disengage the latch, which could cause the footrest to come into contact with obstacles in your path. *If you ignore the Warning, you could fall, tip over or lose control of the wheelchair and seriously injure yourself or others or damage the wheelchair.*

Adjusting the Height/Replacing

You can adjust the height of, or replace, the footrest by using the tools and following the procedures for adjusting the height of, or replacing, a flip up footrest as set forth under “Flip-Up Footrest; Angle Adjustable Flip-Up Footrest; Depth Adjustable Flip-Up Footrest; and Depth and Angle Adjustable Flip-Up Footrest” on pages 3-1 to 3-3.

Note: In following those procedures, it will be necessary to adjust both sides of the footrest extensions simultaneously because there is only a single, 1-piece footrest.

Figure 3-14
1-Piece Flip-Up Footrest

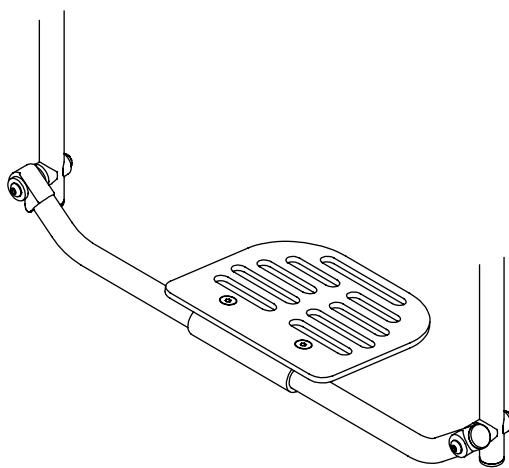
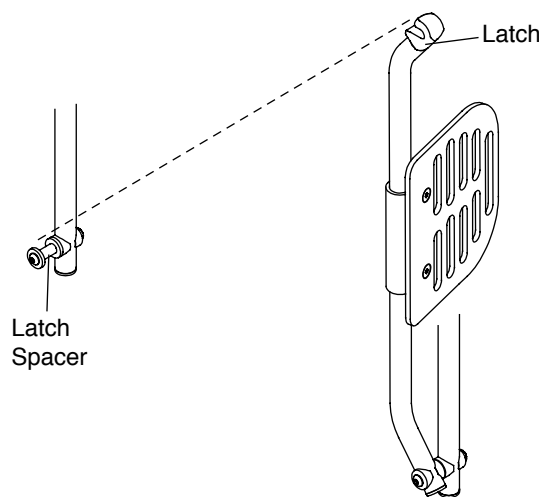


Figure 3-15
1-Piece Flip-Up Footrest in Up Position



Adjusting the Angle

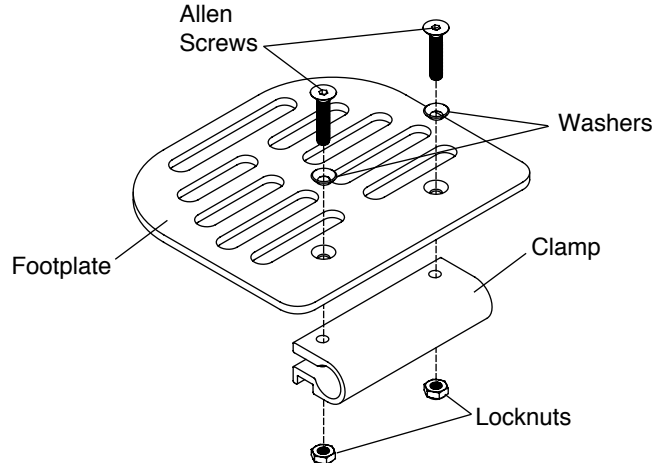
Tools Needed:

- 5/32" Allen Wrench

1. Loosen, but do not remove, the two Allen screws that secure the footplate to the clamp. See Figure 3-16.
2. Adjust the footrest to the desired angle.
3. Tighten the Allen screws, making sure the screws and the locknuts are secure and will not permit the footplate to move up or down under weight.

Note: When adjusting the angle it is advisable to do so with the footrest in the flip down position so that the latch does not rotate.

Figure 3-16
Adjusting the Angle

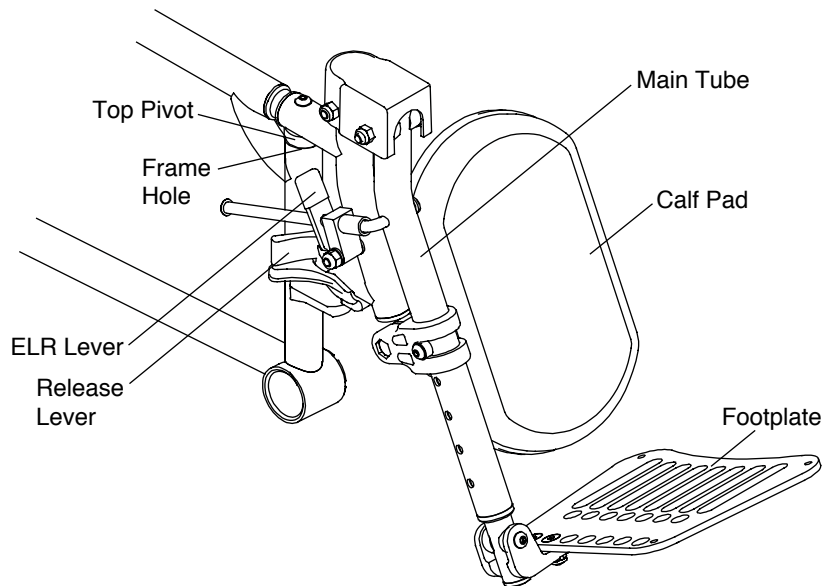


Elevating Legrest (ELR)

Installing

1. Align the top pivot with the frame hole. See Figure 3-17.
2. Holding the ELR, not the release lever, swing the ELR until the release pin locks into place in the hanger lock.
3. Fold down the footplate.
4. Rotate the calf pad until it comes to a stop for placement under the calf.
5. Raise the main tube gradually until the desired leg height is reached.
6. If a lower ELR angle is desired, push the ELR lever gradually, holding on to the main tube while lowering the ELR into position.

Figure 3-17
Elevating Legrest



Note: The ELR can only be rotated outward to be removed or positioned out of the way.

Note: To swing the ELR outward, push the release lever and rotate the ELR outward. See Figure 3-17.

Note: To remove the ELR from the wheelchair, push the release lever, swing the ELR outward and remove the top pivot from the frame hole, lifting the ELR.

CHAPTER 3: FOOTRESTS

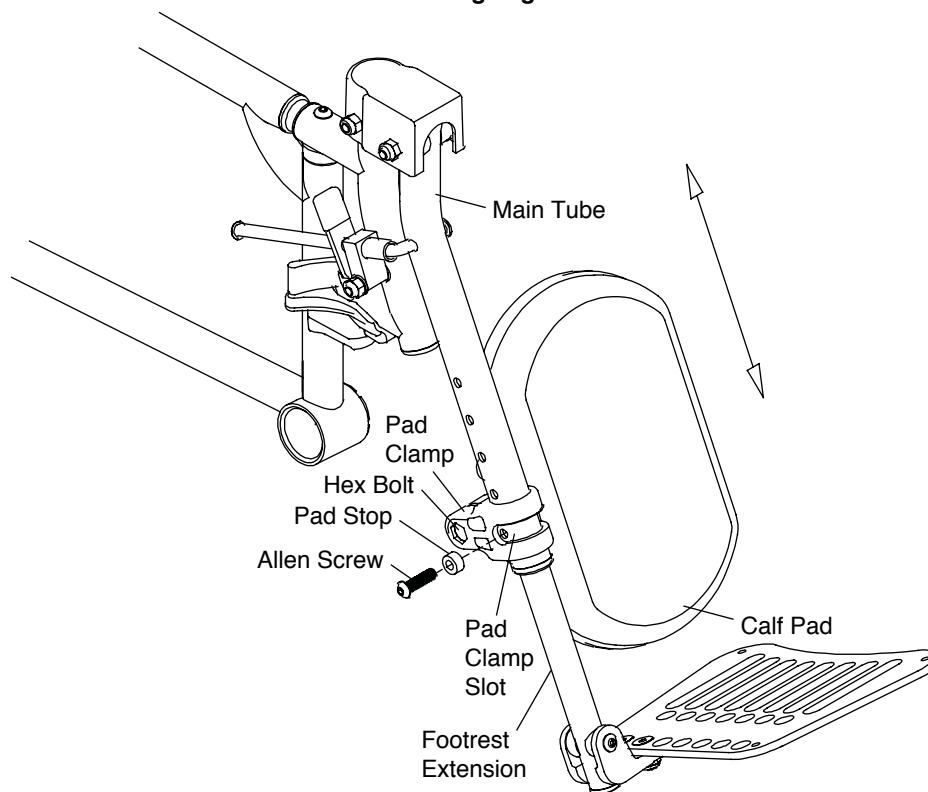
Adjusting the ELR Length

Tools Needed:

- 5/32" Allen Wrench

1. Remove the Allen screw and pad stop which secure the pad stop and footrest extension in place. See Figure 3-18.
2. Slide the footrest extension to the desired length.
3. Align the hole in the main tube with the hole in the footrest extension and the pad clamp slot.
4. Reinstall the Allen screw and pad stop. Securely tighten.
5. If the desired ELR length has not been achieved, repeat Steps 1-4.

Figure 3-18
Elevating Legrest



Adjusting the Footrest

To adjust the position of the Depth Adjustable footrest on the ELR, see “Adjusting the Depth” on page 3-3.

CHAPTER 4: BACKRESTS, PUSH HANDLES AND STROLLER HANDLES

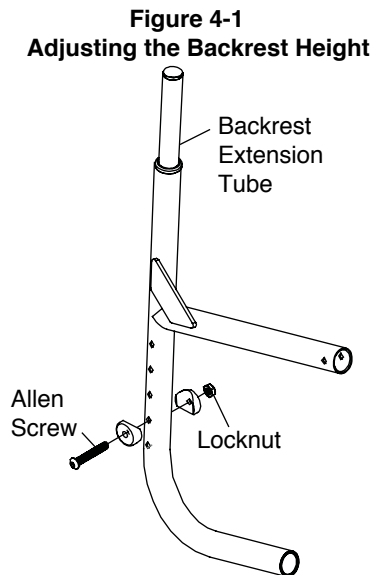
Adjustable Height Backrest

Adjusting the Backrest Height

Tools Needed:

- 5/32" Allen Wrench
- 7/16" Open End Wrench

1. Remove the Allen screws that secure the backrest extension tubes inside the frame. See Figure 4-1. If your chair is equipped with swing away armrests or anti-tips, the receiver will be attached to the frame with screws which may also secure the backrest extension in either side of the frame. Carefully note the order in which the various washers and nuts (and any other parts, such as armrest or anti-tip receivers) were originally installed on the chair as you will need to reinstall all of the parts in the exact same order in Step 3 below.
2. Adjust the backrest extension tubes to the desired height. See Figures 4-1.
3. Reinstall the armrest or anti-tip receivers if removed in Step 1 above.



Angle Adjustable Fold Down Backrest

⚠ WARNING

Always make sure that the grooves in the locking blocks are aligned with the grooves in the backrest pivot bracket. If the grooves are not aligned, the backrest could become loose and the backrest angle could change unexpectedly. If the grooves are not aligned, the grooves may become worn, causing the backrest angle to change unexpectedly. *If you ignore this Warning, you may fall, tip over or lose control of the wheelchair and seriously injure yourself or others or damage the wheelchair.*

⚠ WARNING

Before using your wheelchair, make sure the Angle Adjustable Fold Down Backrest is locked securely in place in the upright position and all mounting hardware is securely tightened. *If you ignore this Warning, you may fall, tip over or lose control of the wheelchair and seriously injure yourself or others or damage the wheelchair.*

Folding the Backrest

1. Lift the backrest latches on each side of the chair simultaneously. See Figure 4-2.
2. Push the back canes forward toward the seat rails. See Figure 4-3.

Unfolding the Backrest

1. Lift up and pull the back canes toward the rear of the chair. See Figure 4-3.
2. Make sure that the backrest latch on each side of the chair engages in the locked upright position. See Figure 4-2.

CHAPTER 4: BACKRESTS, PUSH HANDLES AND STROLLER HANDLES

Figure 4-2
Angle Adjustable Fold Down

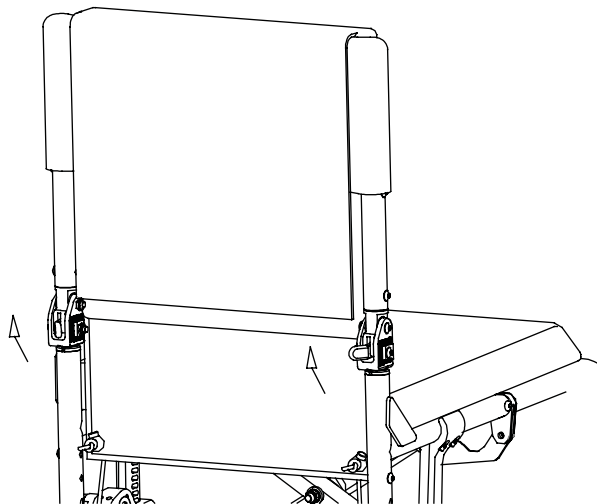
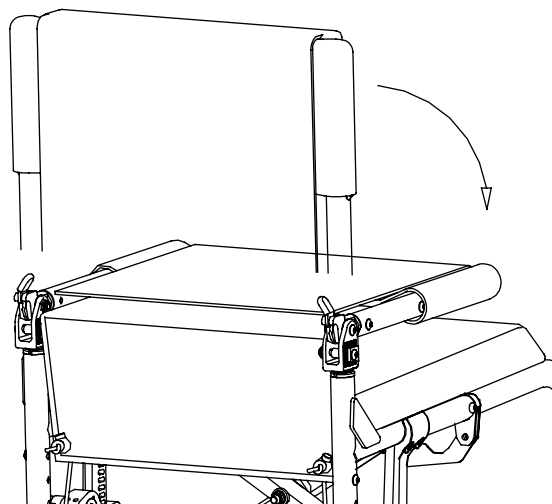


Figure 4-3
Folding the Backrest



Changing the Backrest Angle

Tools Needed:

- 5/32" Allen Wrench
- 7/16" Open End Wrench

1. Lock the backrest in the unfolded, upright position. See Figure 4-4.
2. Loosen, but do not remove the lower Allen screw. See Figure 4-5. This Allen screw must be sufficiently loose so that both locking blocks can disengage from the locking grooves on the backrest pivot bracket.
3. Adjust the angle of the backrest to the desired angle.
4. Carefully re-engage both locking blocks, being extremely careful to ensure that ALL of the grooves in the locking blocks are engaged in grooves on the backrest pivot bracket. Make sure that no part of either locking block overhangs past the front or rear of the backrest pivot bracket.
5. Securely tighten the lower Allen screw.
6. Disengage the backrest latches and fold down the backrest. If the backrest does not fold easily, you may need to loosen the upper Allen screw (but not the lower Allen screw). See Figure 4-5.
7. Repeat Steps 1 through 6 with the backrest cane on the opposite side of the chair.

Figure 4-4
Changing the Backrest Angle

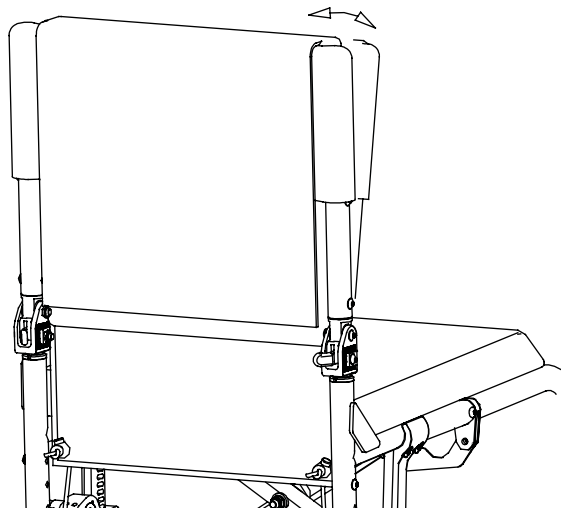
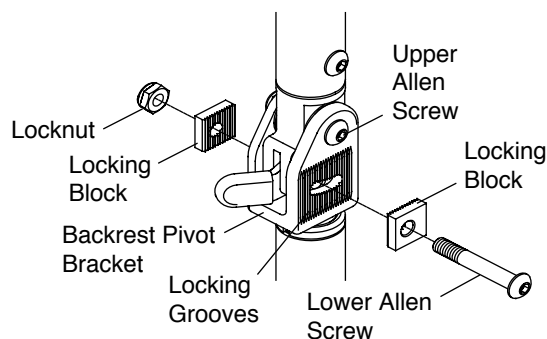


Figure 4-5
Changing the Backrest Angle



CHAPTER 4: BACKRESTS, PUSH HANDLES AND STROLLER HANDLES

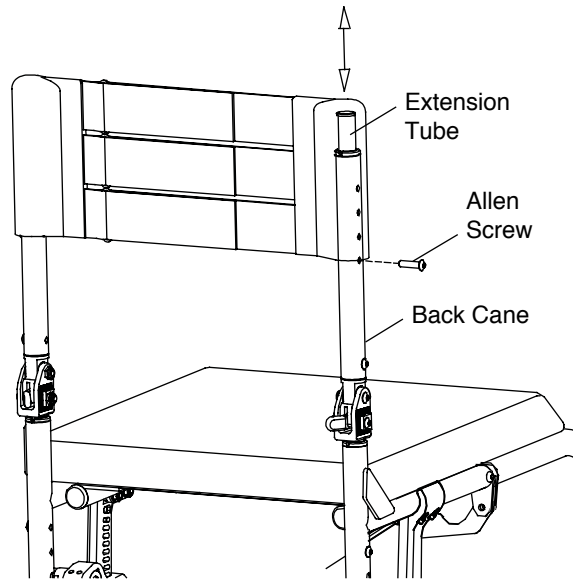
Adjusting the Backrest Height

Tools Needed:

- 5/32" Allen Wrench

1. Remove the backrest upholstery, but leave the backrest ears and ear straps attached to the backrest canes. See "Tension Adjustable by Strap Back Upholstery" on page 7-1 to 7-2.
2. Remove the Allen screws that secure the extension tubes to the back canes. See Figure 4-6.
3. Raise or lower the back cane extension tubes to the desired height.
4. Align the holes in the extension tubes with the holes in the back canes and reinstall the Allen screws removed in Step 2. See Figure 4-6.
5. Reinstall the backrest upholstery. See "Tension Adjustable by Strap Back Upholstery" on pages 7-1 to 7-2.

Figure 4-6
Adjusting the Backrest Height

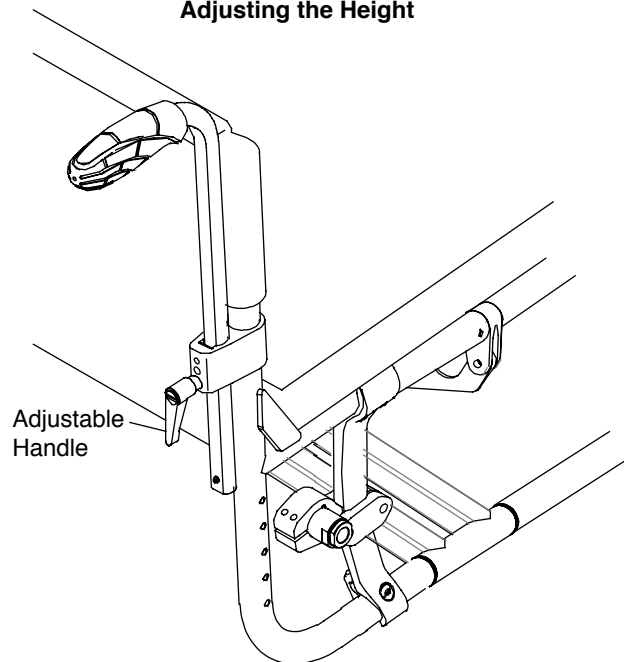


Height Adjustable Push Handles

Adjusting the Height

1. Turn the adjustable handle counter clockwise to loosen the push handle. See Figure 4-7.
2. Raise or lower the push handle to the desired height.
3. Securely tighten the adjustable handle by turning it clockwise to its original position.

Figure 4-7
Adjusting the Height



CHAPTER 4: BACKRESTS, PUSH HANDLES AND STROLLER HANDLES

Fold Down Push Handles

To adjust the height of the Fold Down Push Handle please follow the procedures under “Adjusting the Backrest Height” on page 4-1.

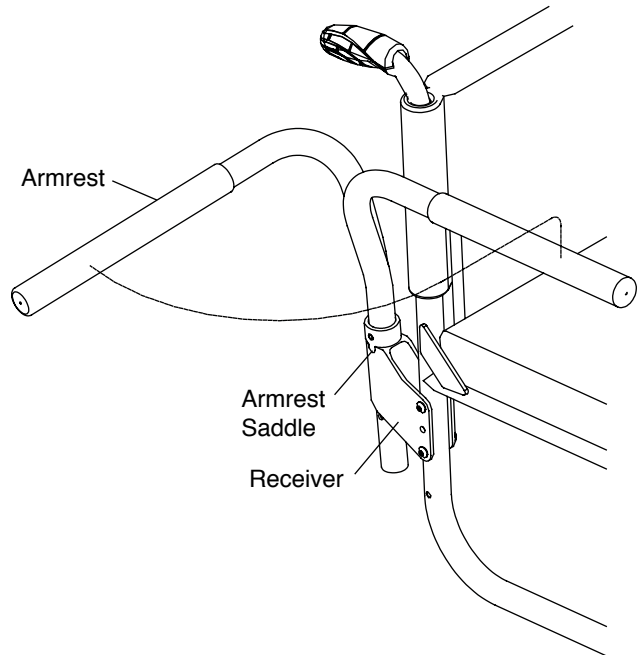
Swing Away Armrest

To swing away the armrest, lift the armrest and rotate the armrest away from the chair. See Figure 5-1. Make sure to lift the armrest until the armrest saddle is above the notch on the receiver.

To replace the armrest, rotate the armrest back towards the chair and gently push it down into place. See Figure 5-1. Make sure the armrest saddle is in the notch on the receiver.

Note: On all TiLite wheelchairs, the swing away armrests pivot on nylon sleeves, located inside the armrest receiver. If the armrest does not rotate properly, remove the armrest, clean the armrest and inside the receiver thoroughly. If this does not solve the problem, check the armrest and the nylon sleeves for wear. Replace as needed.

Figure 5-1
Swing Away Armrest



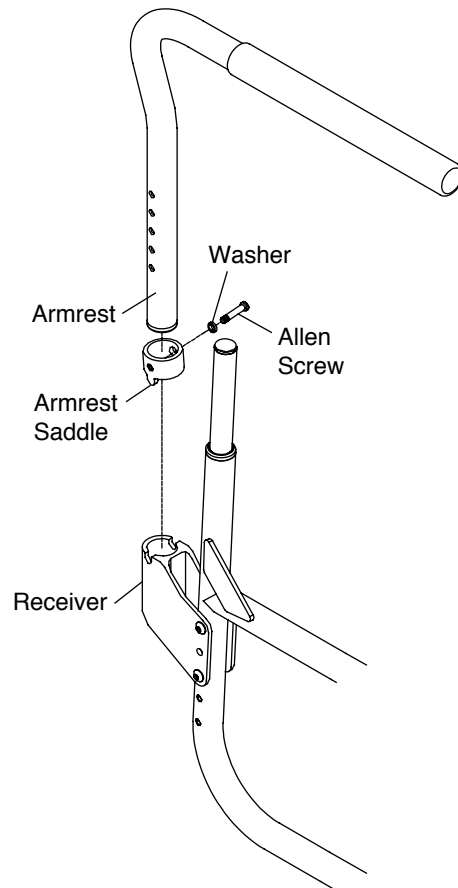
Adjusting the Height

Tools Needed:

- 5/32" Allen Wrenches

1. Remove the armrest from the receiver.
2. Remove the Allen screw and washer from the armrest saddle. See Figure 5-2.
3. Slide the armrest saddle to the desired position. Reassemble the Allen screw and washer in the desired location on the armrest (in 3/4" increments).
4. Securely tighten the Allen screw in the new location.
5. Reinstall the armrest in the armrest receiver.

Figure 5-2
Adjusting the Height



CHAPTER 5: ARMRESTS

Adjusting the Height of the Receiver

Tools Needed:

- 5/32" Allen Wrench
- 7/16" Open End Wrench

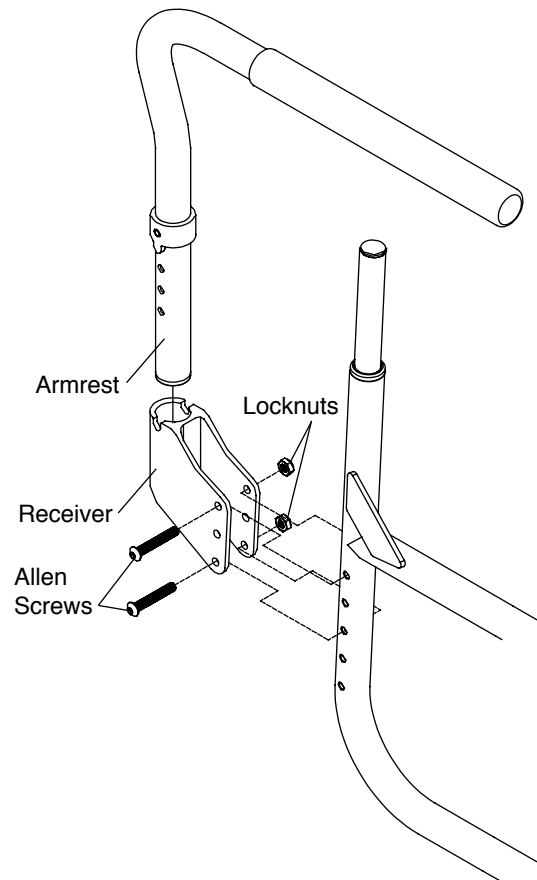
Note: Unless you ordered anti-tips for your Aero X chair, the receiver may be raised or lowered to achieve a higher or lower height for the swing away armrest.

1. Remove the armrest from the receiver.
2. Remove the two Allen screws that pass through the armrest receiver and the frame. See Figure 5-3.
3. Reposition the receiver to the desired height and reinsert the Allen screws. Securely tighten the Allen screws and locknuts.
4. Reinstall the armrest in the receiver.

⚠ WARNING

If your Aero X has anti-tips, when reassembling, make sure that the Allen screws secure the anti-tips to the frame. This may limit your options for adjusting the height of the receiver. *If you ignore this Warning, you could fall, tip over or lose control of the wheelchair and seriously injure yourself or others or damage the wheelchair.*

Figure 5-3
Adjusting the Height of the Receiver



Desk Arm with Rigid Side Guard and Desk Arm with Rigid Side Guard and Transfer Loop

⚠ WARNING

Make sure the armrest is securely engaged in the desk arm housing (see Figure 5-4), before applying weight to the armrest. *If you ignore this Warning, you could fall, tip over or lose control of the wheelchair and seriously injure yourself or others or damage the wheelchair.*

Note: Never lift your chair using the desk arm mount. See Figure 5-5.

Tools Needed:

- 5/32" Allen Wrench

Adjusting the Armrest Height

1. Loosen but do not remove the height adjustment screw to permit the armrest to be raised or lowered to the desired height. See Figure 5-4.
2. After repositioning the armrest to the desired height, tighten the height adjustment screw to lock the armrest in that position. The positioning holes are in 1/2" increments.

Removing

1. To remove the desk arm assembly, press and hold the release lever. See Figure 5-4.
2. While holding the release lever, lift the desk arm assembly to remove it from the desk arm mount. See Figure 5-5.

Replacing

Slide the desk arm housing into the desk arm mount. See Figure 5-5.

⚠ WARNING

Make sure the desk arm housing securely locks in the desk arm mount (see Figure 5-5), before applying weight to the armrest. *If you ignore this Warning, you could fall, tip over or lose control of the wheelchair and seriously injure yourself or others or damage the wheelchair.*

Figure 5-4

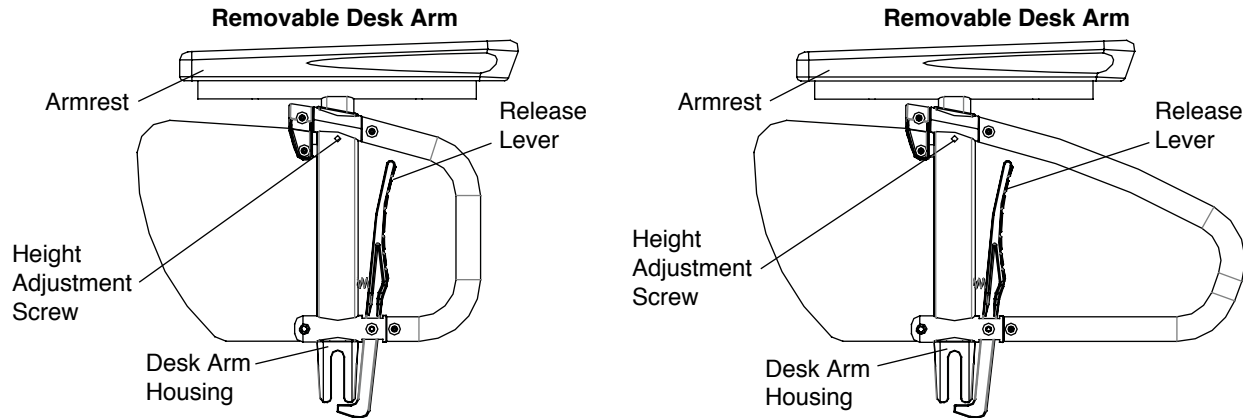
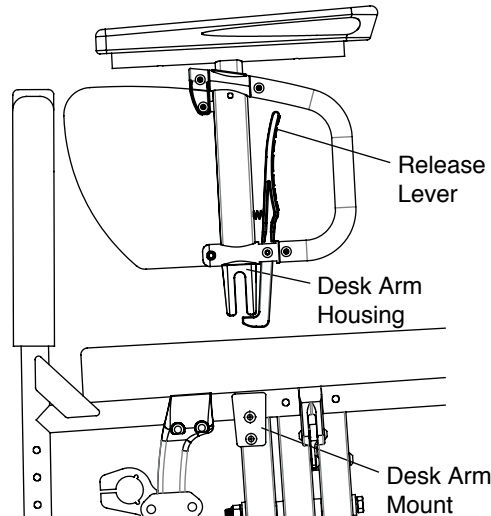


Figure 5-5
Mounting Desk Arm



Flip Back Desk Arm

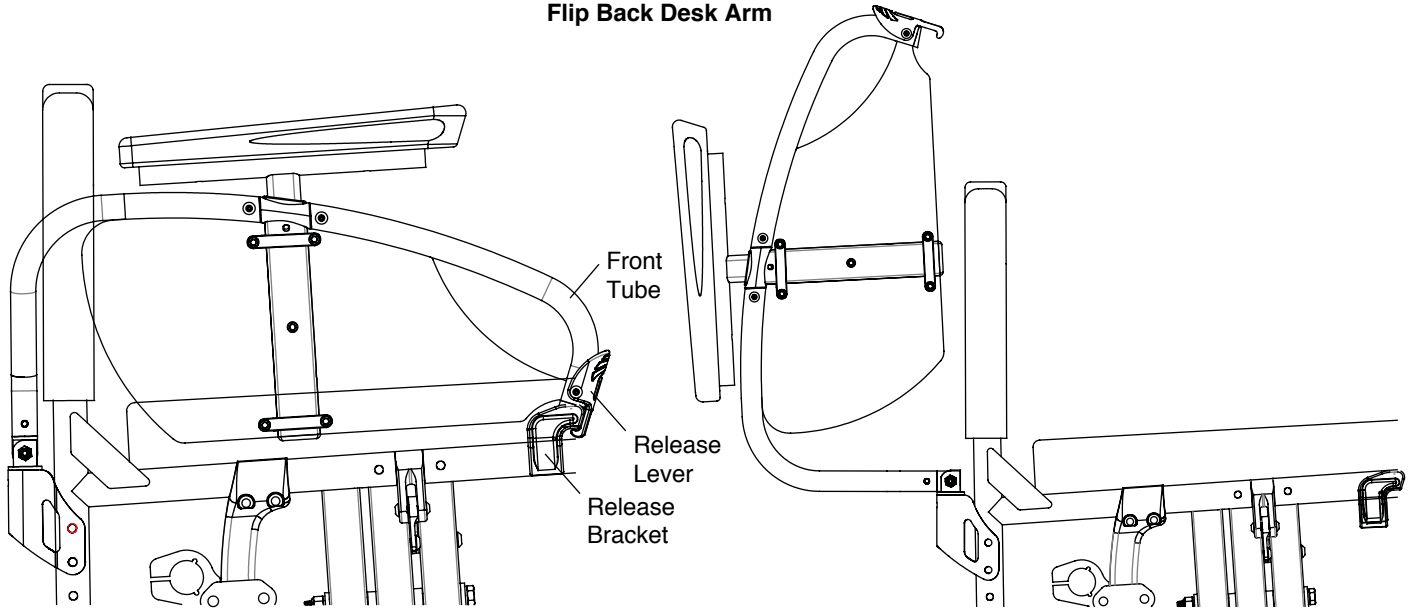
To flip back the armrest, press the release lever against the front tube and raise the desk arm straight back as far as possible. See Figures 5-6.

To replace the armrest, swing the desk arm back towards the chair and gently push it back down into place, locking the release lever back into place in the release bracket. See Figures 5-6.

⚠ WARNING

The threads on the height adjustment screws that secure the desk arm housing to the side guard are treated with Vibra-TITE® VC-3, a locking and sealing coating, to reduce the possibility they will become loose. You should be able to remove and reinstall these screws approximately four times without reapplying the coating. If you repeatedly remove and reinstall these screws, TiLite requires that you reapply Vibra-TITE® VC-3 after every fourth adjustment. *If you ignore this Warning, you may fall, tip over or lose control of the wheelchair and seriously injure yourself or others or damage the wheelchair.*

Figure 5-6
Flip Back Desk Arm



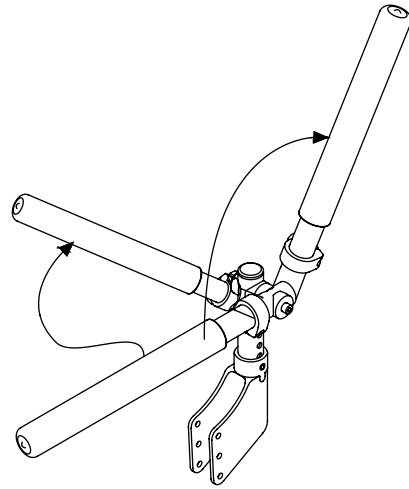
Swing Away - Flip Back Armrest

To flip back the armrest, raise the front of the armrest and rotate it straight back as far as possible. Reverse this procedure to return the armrest to its original position. See Figure 5-7.

To swing away the armrest, lightly lift up on the armrest and rotate the armrest away from the chair. See Figure 5-7. To replace the armrest, swing it back towards the chair and gently push it back down into place.

Note: The Swing Away Armrests pivot on nylon sleeves located inside the armrest receiver. If the armrest does not rotate properly, check the sleeves for wear.

Figure 5-7
Swing Away-Flip Back



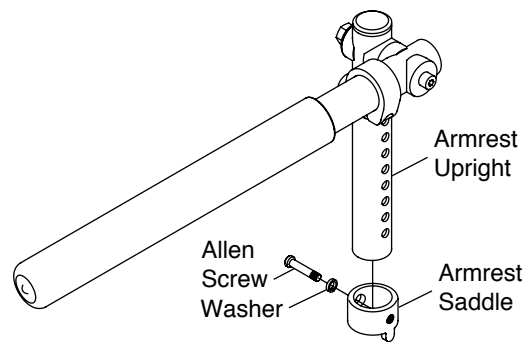
Adjusting the Armrest Height

Tools Needed:

- 5/32" Allen Wrenches

1. Remove the armrest from the armrest receiver.
2. Remove the Allen screw and washer from the armrest saddle. See Figure 5-8.
3. Slide the armrest saddle to the desired position on the armrest upright. Reassemble the Allen screw and washer in the desired location on the armrest (in 1/2" increments).
4. Securely tighten the Allen screw in the new location.
5. Reinstall the armrest in the armrest receiver.

Figure 5-8
Adjusting the Armrest Height



Adjusting the Armrest Angle

Tools Needed:

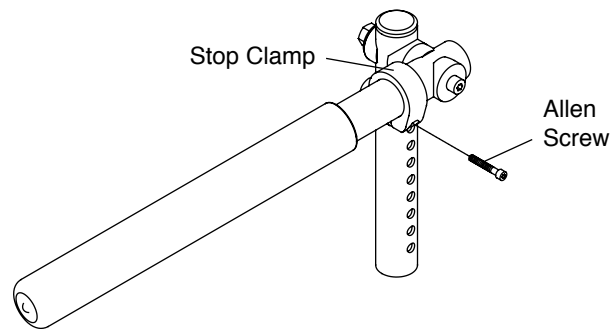
- 5/32" Allen Wrench

1. To adjust the angle at which the armrest sits when in the down position, loosen, but do not remove, the Allen screw that secures the stop clamp. See Figure 5-9
2. Slide the stop clamp forward on the armrest to lower the angle at which the armrest sits in the down position, or slide the stop clamp rearward on the armrest to raise the angle.
3. Securely tighten the Allen screw to fix the stop clamp in place.

⚠ WARNING

Make sure that the stop clamp is securely tightened before applying weight to the armrest. *If you ignore this Warning, you could fall, tip over or lose control of the wheelchair and seriously injure yourself or others or damage the wheelchair.*

Figure 5-9
Adjusting the Armrest Angle



Cloth Side Guards

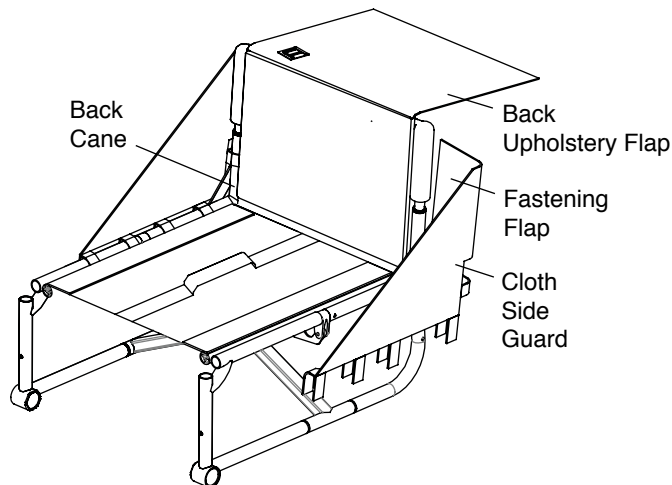
Removing/Replacing

1. Lift up on the seat cushion and remove it from the chair.
2. Separate the cloth side guards from the back upholstery and from the frame. See Figure 6-1.
3. If desired, install new cloth side guards onto the frame and back upholstery.

Note: For Padded Nylon Back Upholstery, the fastening flaps that secure the cloth side guards to the back upholstery wrap around the outside of the back canes and attach to the outside of the back upholstery. For Tension Adjustable by Strap Back Upholstery, the fastening flaps that secure the cloth side guards to the back upholstery wrap around the outside of the back canes and under the back upholstery flap.

4. Replace the seat cushion.

Figure 6-1
Removing and Replacing

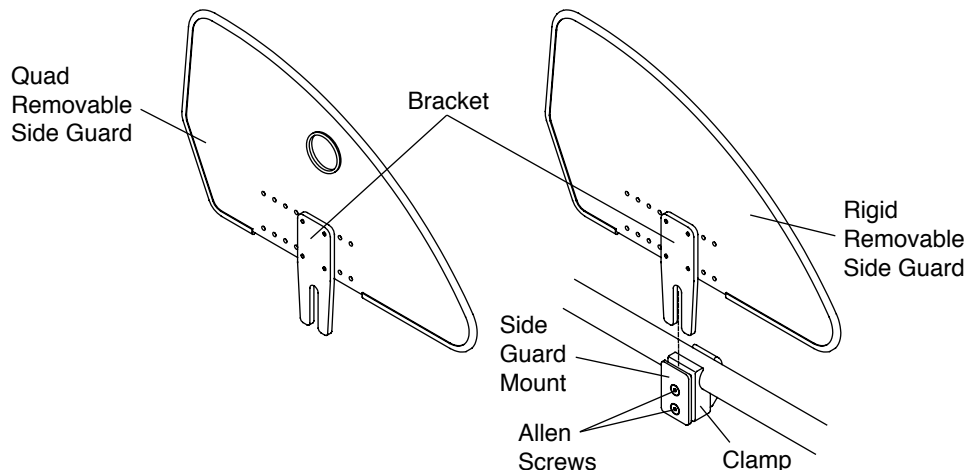


Rigid Removable and Quad Removable Side Guards (Aluminum and Carbon Fiber)

Using Rigid Side Guards

To remove either type of rigid side guard, lift the side guard out of the side guard mount by grasping it at the top or place a finger in the hole and pull it upward. See Figure 6-2. To replace, place the bracket into the slot between the side guard mount and the clamp and push down.

Figure 6-2
Rigid Side Guards



CHAPTER 6: SIDE GUARDS

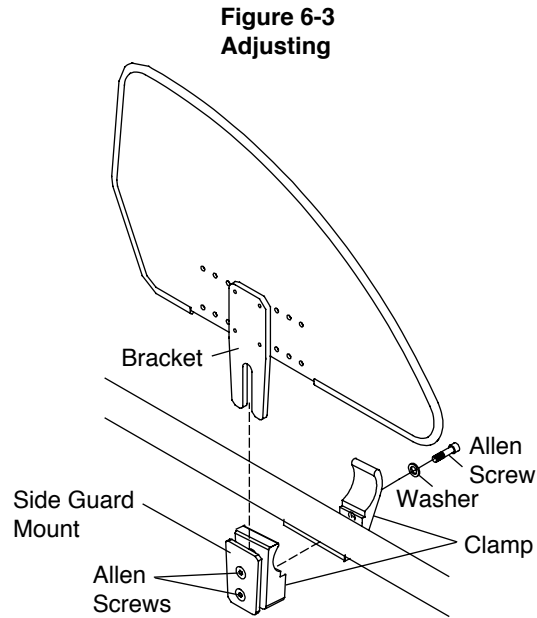
Adjusting

Tools Needed:

- 1/8" Allen Wrench

You can adjust the “snugness” of the fit of the bracket in the side guard mount by loosening or tightening the two Allen screws in the side guard mount. See Figure 6-3.

Either type of rigid side guard can be made “non-removable” by firmly tightening the two Allen screws in the side guard mount while the side guard is installed.



Removing

Tools Needed:

- 3/16" Allen Wrench

To remove the entire side guard assembly, including the clamp:

1. Remove the side guard from the side guard mount.
2. Remove the Allen screw that secures the two halves of the clamp to the frame. See Figure 6-3.

Reinstalling

Tools Needed:

- 3/16" Allen Wrench

1. Align the two halves of the clamp around the seat tube of the chair frame. See Figure 6-3.
2. Insert the Allen screw through the washer and the two halves of the clamp and securely tighten.
3. Insert the bracket into the side guard mount and adjust the two Allen screws as described under “Adjusting” on page 6-2.

Aluminum Fendered Side Guards

Mounting

Tools Needed:

- 5/32" Allen Wrench

Note: Only Tension Adjustable by Strap Back Upholstery is available for use with the Aluminum Fendered Side Guards. If your chair does not have Tension Adjustable by Strap Back Upholstery and you are ordering the Aluminum Fendered Side Guards, you will need to also order the Tension Adjustable by Strap Back Upholstery. To install the new back upholstery, if needed, see “Tension Adjustable by Strap Back Upholstery” on page 7-1 to 7-2.

CHAPTER 6: SIDE GUARDS

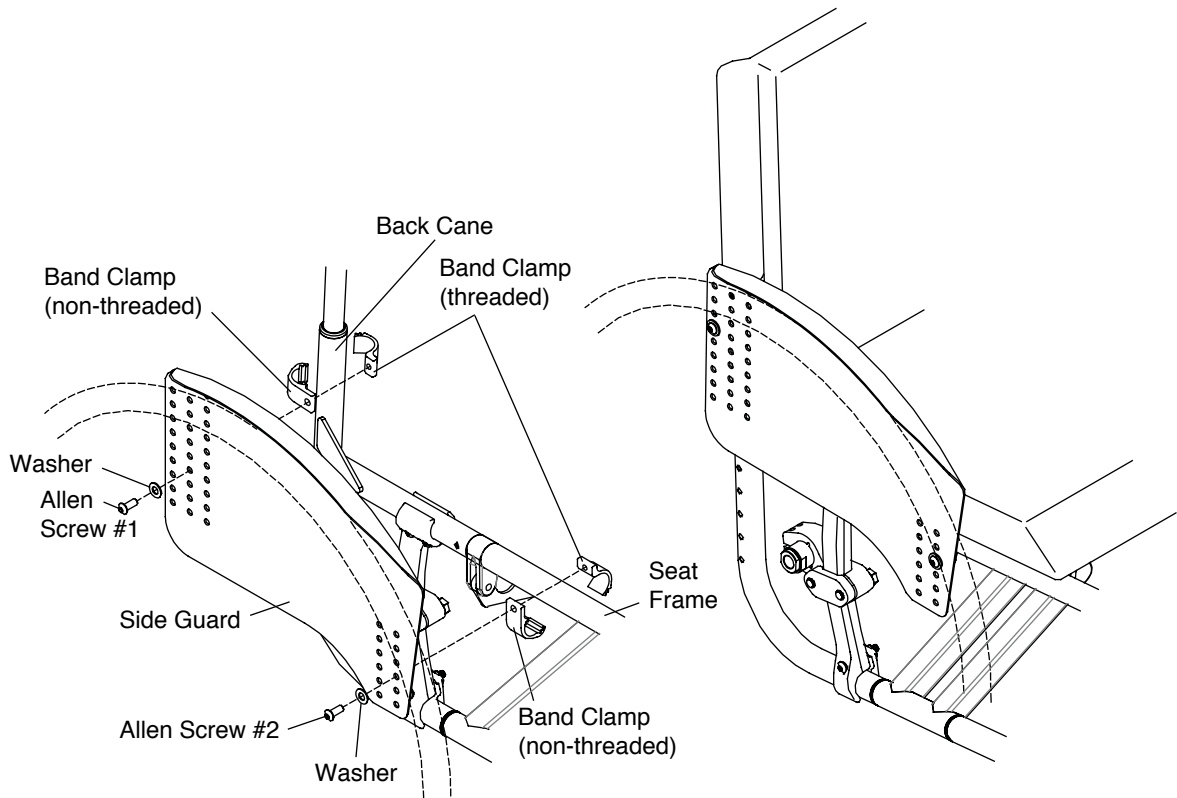
1. Insert Allen Screw #1 through the washer, side guard, non-threaded band clamp, back cane and the threaded band clamp. Do not tighten. See Figure 6-5.
2. Insert Allen Screw #2 through the washer, side guard, non-threaded band clamp, seat frame and the threaded band clamp. Do not tighten.

Note: You may reverse the direction of the clamp for additional height options at the front of the chair.

3. Adjust the side guard until the desired position is achieved. Securely tighten the two Allen screws. Use identical side guard holes on each side of the chair.

Note: You may need to reposition your wheel locks once your desired placement of the side guard has been achieved. See Chapter 10 “Wheel Locks”.

Figure 6-5
Aluminum Fendered Side Guard



CHAPTER 7: BACK UPHOLSTERY, SEAT UPHOLSTERY AND SEAT CUSHIONS

Padded Nylon Back Upholstery

Replacing

Tools Needed:

- 1/8" Allen Wrench
- Scissors

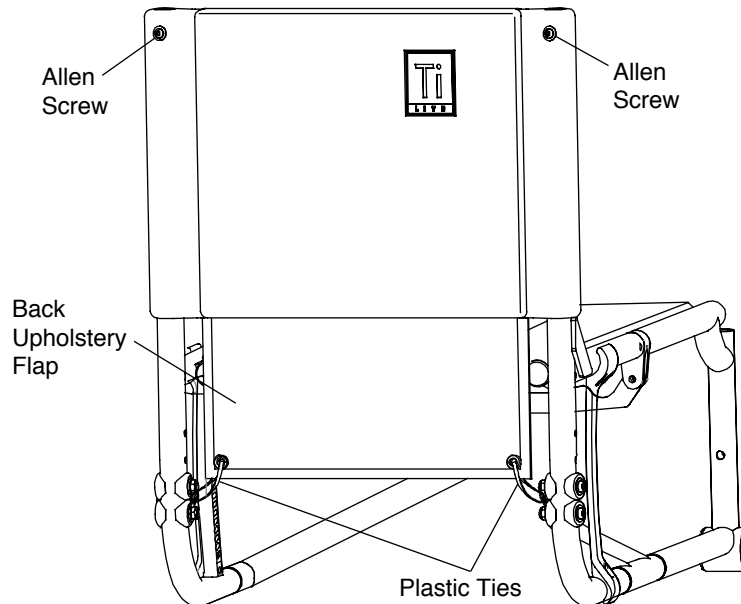
1. Remove the seat cushion.
2. Cut the plastic ties that secure the bottom of the back upholstery to the frame. See Figure 7-1.

Note: If you have a folding back, your chair will have an elastic cord and ball instead of the plastic ties. Untie the cord and slide the ball down to remove the cord and proceed to the next step.

3. Remove the Allen screw that secures the upholstery to each back cane. See Figure 7-1.
4. Slide the upholstery off the back canes.
5. Slide new upholstery onto the back canes.
6. Secure the upholstery to the back canes with the Allen screws removed in Step 3.
7. Secure the bottom of the back upholstery to the seat frame with new plastic ties or the elastic cord and ball removed in Step 2, see note.
8. Replace the seat cushion.

Note: If your chair has push handles, you will not be able to slide the back upholstery off the top of the back canes. Instead, you will need to remove the back canes. See "Adjustable Height Backrest" on page 4-1. Remove the Allen screws and slide the back upholstery off the bottom end of the back canes. Install the new upholstery in this manner as well.

Figure 7-1
Replacing Padded Nylon Back Upholstery



Tension Adjustable by Strap Back Upholstery

Note: When adjusting the tension of the back upholstery, DO NOT apply so much tension that the crosstubes are pulled out of their saddles. If this occurs, you may cause the chair to "track" improperly or to develop a "floater".

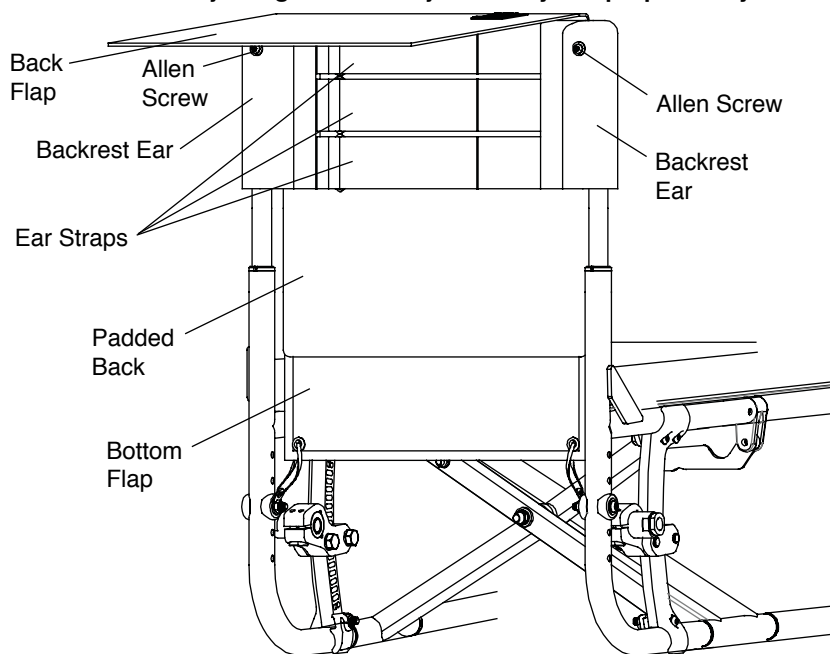
Adjusting the Tension

1. Lift the back flap to expose the backrest ears. See Figure 7-2.
2. Completely detach the padded back from the backrest ears. Do not remove the backrest ears from the back canes.

CHAPTER 7: BACK UPHOLSTERY, SEAT UPHOLSTERY AND SEAT CUSHIONS

- Adjust to the desired tautness by loosening the ear straps and then pulling on the loose end to pull the backrest ears closer together. Tighter back upholstery will increase the stability and maintain normal maneuverability of the chair because the user is pushed forward slightly. It may also make unfolding and folding the chair more difficult. Looser back upholstery will increase maneuverability, but will make the chair more prone to tip over backward because additional weight is being distributed onto the rear wheels.
- Align the top of the padded back with the two backrest ears.
- If desired, adjust the tension on the strap(s).
- Securely attach the padded back to the backrest ears and lower the back flap back into position.

Figure 7-2
Adjusting Tension Adjustable by Strap Upholstery



Replacing

Tools Needed:

- 1/8" Allen Wrench

To replace the Tension Adjustable by Strap Back Upholstery, please follow the instructions under "Padded Nylon Back Upholstery" on page 7-1.

Velcro®- Style Adjustable Back Upholstery

Note: When adjusting the tension of the back upholstery, DO NOT apply so much tension that the crosstubes are pulled out of their saddles. If this occurs, you may cause the chair to "track" improperly or to develop a "floater".

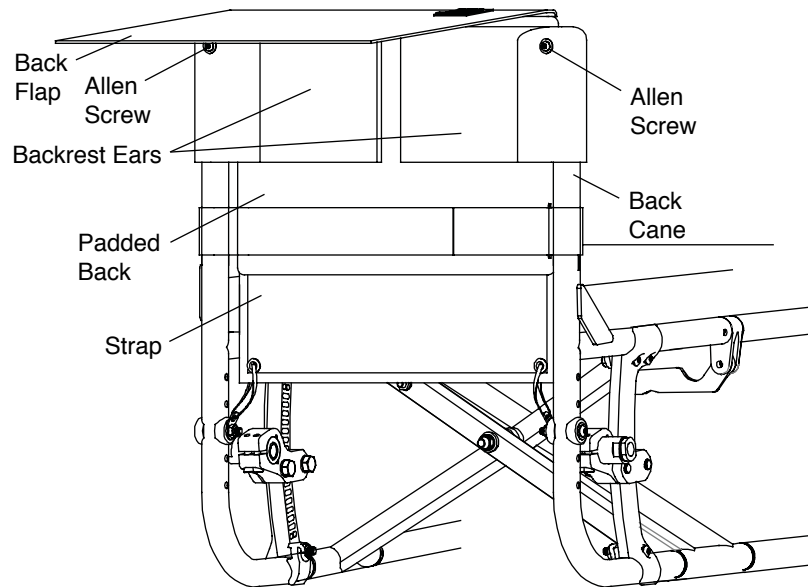
Adjusting the Tension

- Lift the back flap to expose the backrest ears. See Figure 7-3.
- Completely detach the two backrest ears from the padded back, but do not remove them from the back canes.
- Adjust to the desired tautness. The closer together the two backrest ears, the more taut the padded back will be. The farther apart the two backrest ears, the padded back will be looser. Tighter back upholstery will increase the stability and maintain normal maneuverability of the chair because the user is pushed forward slightly. Looser back upholstery will increase maneuverability, but will make the chair more prone to tip over backward because additional weight is being distributed behind the rear wheels.
- Align the top of the padded back with the two backrest ears to ensure that the top of the back upholstery is even with the top of the backrest.
- If desired, adjust the tension of the strap(s).

CHAPTER 7: BACK UPHOLSTERY, SEAT UPHOLSTERY AND SEAT CUSHIONS

- Securely attach the padded back to the backrest ears using the Velcro®-style material and lower the back flap back into position.

Figure 7-3
Adjusting/Replacing Back Upholstery



Replacing

Tools Needed:

- 1/8" Allen Wrench

- Lift the back flap to expose the backrest ears. See Figure 7-3.
- Completely detach the two backrest ears and strap(s) from the padded back and remove them from the back canes.

Note: If your chair has Integrated or Fold-Down Push Handles, you will need to remove the bolts that secure the backrest ears to the back canes and the bolts that secure the backrest posts inside the back canes.

- Remove the seat cushion.
- Cut the plastic ties that secure the bottom of the back upholstery to the frame.
- Attach the plastic ties that secure the bottom of the new back upholstery to the frame.
- Install the two new backrest ears on the back canes.
- Adjust to the desired tautness. See "Adjusting the Tension" on page 7-2.
- Align the top of the padded back with the two backrest ears to ensure that the top of the back upholstery is even with the top of the back canes.
- Reinstall the strap(s) and adjust to the desired tautness.
- Securely attach the padded back to the backrest ears and lower the back flap back into position.
- Replace the seat cushion.

Corbac® Adjustable Contour Back Support

For information regarding the use and adjustment of the Corbac® Adjustable Contour Back Support, consult the owner's manual provided by the manufacturer, Ride Designs.

Tension Adjustable Slide-In Seat Sling

⚠ WARNING

Do not make the tension of the seat sling upholstery so loose that it does not properly support your weight. You must never permit the sling to become so loose that your weight is borne by the crosstubes below the seat sling. *If you ignore this Warning, you may develop pressure sores, which can be a life-threatening medical complication.*

CHAPTER 7: BACK UPHOLSTERY, SEAT UPHOLSTERY AND SEAT CUSHIONS

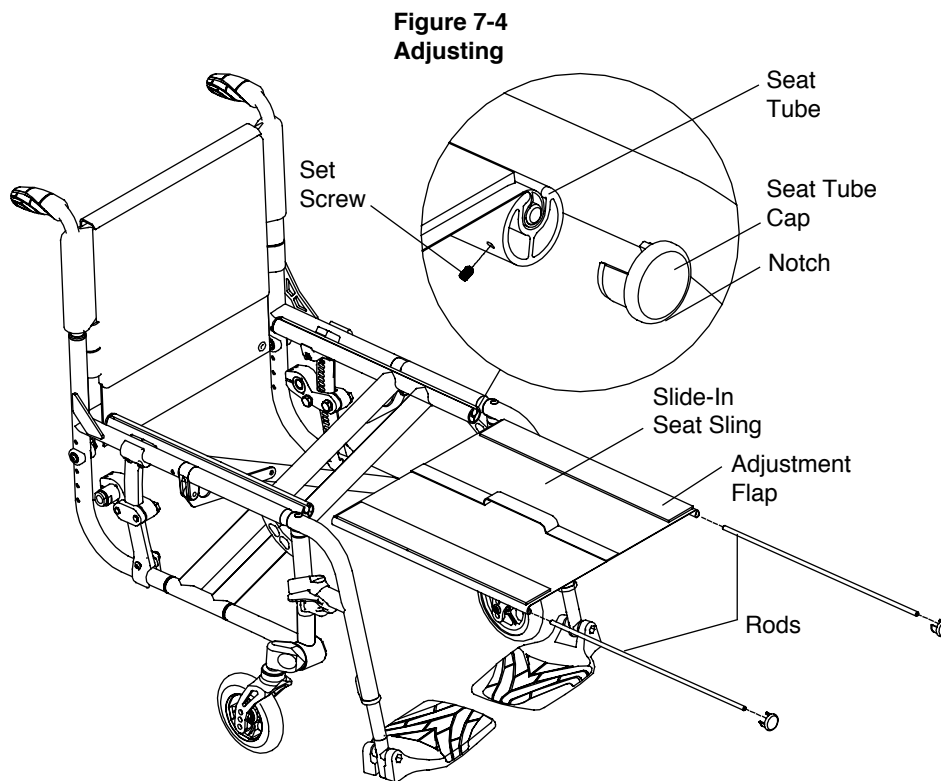
Note: When adjusting the tension of the seat upholstery, DO NOT apply so much tension that the seat tubes are pulled out of their saddles. If this occurs, you may cause the chair to “track” improperly or to develop a “floater”.

Adjusting the Tension

Tools required:

- Flat Head Screw Driver
- Rubber Mallet
- 3/32” Allen Wrench

1. Remove the seat cushion.
2. Remove the set screws retaining the seat tube caps.
3. Insert the flat head screwdriver in the notch on the underside of each seat tube cap and pry off both front caps. See Figure 7-4.
4. Fold the chair.
5. Remove the Slide-In Seat Sling and rods. See Figure 7-4.
6. Detach the Velcro®-style adjustment flap and adjust the seat upholstery to the desired tension.
7. Re-insert the Slide-In Seat Sling and rods into the seat tubes.
8. Unfold the chair.
9. Reattach the seat tube end caps using the rubber mallet and replace the seat cushion.
10. Re-insert the set screws removed in Step 2.



Replacing

Tools required:

- Flat Head Screw Driver
- Rubber Mallet
- 3/32” Allen Wrench

1. Remove the seat cushion.
2. Remove the set screws retaining the seat tube caps.
3. Insert the flathead screwdriver into the notch on the underside of each seat tube cap and pry off both front caps. See Figure 7-4.
4. Fold the chair.
5. Remove the Slide-In Seat Sling and seat sling rods. See Figure 7-4.

CHAPTER 7: BACK UPHOLSTERY, SEAT UPHOLSTERY AND SEAT CUSHIONS

6. If your replacement upholstery included new seat sling rods, proceed to Step 6. If not, remove the seat sling rods from the old upholstery and insert them in the new upholstery.
7. Adjust the seat upholstery to the desired tension using the Velcro®-style adjustment flap.
8. Re-insert the Slide-In Seat Sling and rods into the seat tubes.
9. Unfold the chair.
10. Reattach the seat tube end caps using the rubber mallet.
11. Replace the seat cushion.
12. Re-insert the set screws removed in Step 2.

Seat Cushions

Replacing the Foam Insert in the TiLite Seat Cushion

1. Lift up and remove the existing seat cushion from the seat upholstery.
2. Unzip the seat cushion cover and remove the foam insert.
3. Insert the new foam insert into the seat cushion cover.
4. Close the seat cushion cover and replace on the chair.

For seat cushions manufactured by manufacturers other than TiLite (e.g. ROHO, Supracor or Varilite), consult the owners manual provided by the applicable manufacturer.

Velcro®-Style Adjustable Seat Belt

⚠ WARNING

Installation of the Velcro®-Style Seat Belt must be performed by an authorized TiLite dealer or qualified technician. *If you ignore this Warning, serious injury may result.*

⚠ WARNING

The Velcro®-Style Seat Belt must be worn tightly fitted across the lower pelvis or thighs at all times. A loose belt can allow the user to slip down and create a risk of strangulation. Have your seating specialist demonstrate its proper adjustment and use. See Figures 7-8 and 7-9.

Accidental release of the Velcro®-Style Seat Belt can allow the user to slip down or fall from the wheelchair. The user's movements or cognitive abilities could lead to accidental release, a caregiver must be present at all times during its use. Ensure that all caregivers know how to properly use the product. Failure to do so may delay release in an emergency.

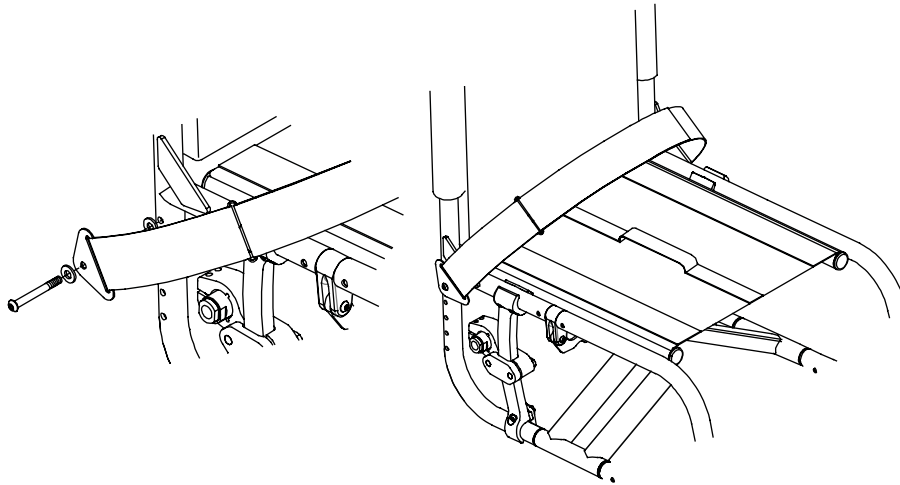
As with any new seating support, the Velcro®-Style Seat Belt may change the way a person sits. Users must continue to practice regular pressure relief activities and skin integrity checks, not only where this product contacts the user, but also in primary pressure-bearing areas such as the sacrum, legs, and buttocks. If increased skin redness or irritation occurs, discontinue use and consult your physician or seating specialist. Failure to do so may result in serious injury, such as pressure ulcers. *If you ignore any of these Warnings, you may incur serious or life-threatening injuries.*

Installation

Install the seat belt as shown in Figure 7-8.

CHAPTER 7: BACK UPHOLSTERY, SEAT UPHOLSTERY AND SEAT CUSHIONS

Figure 7-8
Velcro®-Style Seat Belt



Adjustment

When the belt is properly adjusted and tightened, it should fit snug so that the user's pelvis is secure. If length adjustment is necessary to achieve a good fit or to remove the belt for cleaning, this can be done using the belt end fittings.

Safety Check

When properly positioned in the wheelchair, the wheelchair user should lean forward and side to side to check the fit. Check for:

1. Normal operation of adjustment straps.
2. Comfort: look for areas of irritation.
3. Position: if too high or too low, adjust anchor points.
4. Interference with other devices: relocate anchor points as necessary.
5. Move chair through full range of motion, including folding, and rolling. Check for any interference.

Maintenance

Check periodically for signs of wear in the stitching and webbing. If significant wear is found, contact your supplier for qualified repair or replacement by TiLite.

Quick-Release Solid Seat Pan (Aluminum)

TiLite requires that your Quick-Release Solid Seat Pan be installed only by an authorized TiLite dealer.

CHAPTER 8: AXLE PLATES & CAMBER PLUGS (CENTER OF GRAVITY; REAR SEAT HEIGHT)

All TiLite folding wheelchairs are equipped with standard camber plugs. By adjusting the position of the camber plugs, you can adjust the center of gravity of your chair. In some cases, you also can adjust the rear seat height. This chapter explains the various adjustments that are possible. The same adjustment will apply regardless of the degree of camber.

⚠WARNING

Any changes to the position of the camber plugs will affect the stability of the chair. Use extreme caution when using a new camber plug position as the new position may make the chair more prone to tip over. *If you ignore this Warning, your chair may not perform properly, which in turn, may cause you to fall, tip over or lose control of the chair and seriously injure yourself or others or damage the chair.*

⚠WARNING

Whenever you adjust the position of the camber plug (either to adjust the rear seat height or the center of gravity), it may be necessary to adjust the toe-in/toe-out of the rear wheels. See “Adjusting Toe-In/Toe-Out” on page 8-5. In addition, whenever you adjust the position of the camber plug or when you adjust the toe-in/toe-out, it may be necessary to square the casters to the floor. See “Adjustable Angle Fork” on page 11-6. *If you ignore this Warning, your chair may not perform properly, which, in turn, may cause you to fall, tip over or lose control of the chair and seriously injure yourself or others or damage the chair.*

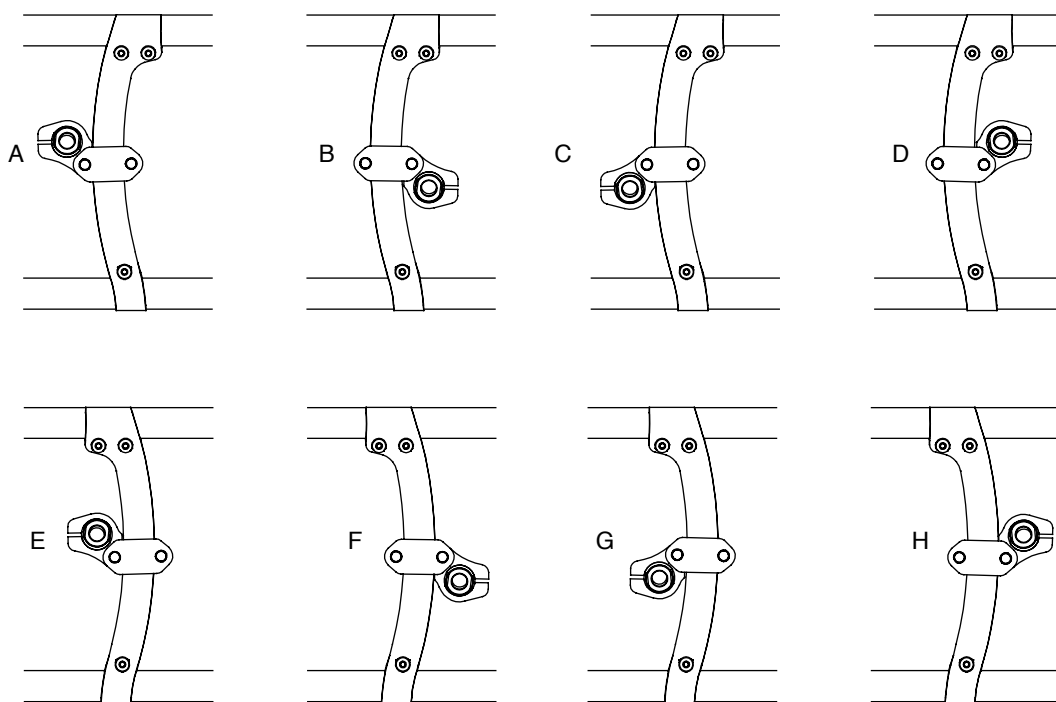
Note: It is recommended that you remove the rear wheels and turn the chair upside down before attempting to make any adjustments described in this chapter.

Standard Camber Plug

Adjusting the Center of Gravity

Note: The camber mount clamps and axle plates on either side of the chair can be reversed or exchanged so as to achieve any of the eight configurations shown in Figure 8-1. When your chair shipped from the factory, it shipped in the configuration shown in Figure 8-1a or 8-1c. Depending on the desired location of the center of gravity and/or rear seat height, it may be necessary to change the configuration of the camber mount clamps and axle plates to one of the other configurations shown in Figure 8-1.

Figure 8-1
Adjusting the Center of Gravity



CHAPTER 8: AXLE PLATES & CAMBER PLUGS (CENTER OF GRAVITY; REAR SEAT HEIGHT)

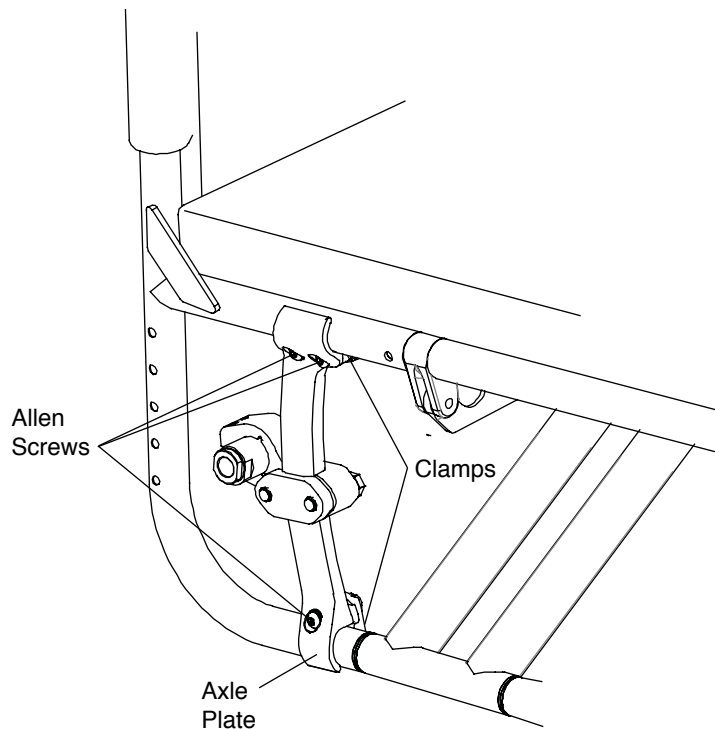
Tools Needed:

- 5/32" Allen Wrench
- Ruler

1. Partially fold the chair and remove the rear wheels.
2. Loosen the six Allen screws (three on each side of the chair) that secure the clamps at either end of the axle plates to the frame. See Figure 8-2.
3. Reposition the rear axle assemblies to the desired location on both sides of the frame.
4. Using a ruler, make sure that both axle assemblies are the same distance forward from the rear of the frame.
5. Securely tighten all six Allen screws.
6. Reinstall the rear wheels and unfold the chair.
7. Check the toe-in/toe-out and adjust as needed and square the casters as needed.
8. Adjust the wheel locks.

Note: If the preceding procedure does not permit you to achieve your desired center of gravity, consider utilizing one of the other configurations shown in Figure 8-1. For example, if your chair was delivered in the configuration shown in Figure 8-1A but you want the center of gravity more forward while maintaining the same rear seat height, then switch the left and right axle plates and camber mount clamps so as to achieve the configuration shown in Figure 8-1H.

Figure 8-2
Adjusting the Center of Gravity



Adjusting the Rear Seat Height

Note: The camber clamps and axle plates on either side of the chair can be reversed or exchanged so as to achieve any of the four configurations shown in Figure 8-1. When your chair shipped from the factory, it shipped in the configuration shown in Figure 8-1a or 8-1c. Depending on the desired location of the center of gravity and/or rear seat height, it may be necessary to change the configuration of the camber clamps and axle plates to one of the other configurations shown in Figure 8-1.

Tools Needed:

- 9/16" Torque Wrench

1. Remove the rear wheels.
2. Remove the two hex bolts (two on each side of the chair) that secure the camber clamp to the axle plate. See Figure 8-3.

CHAPTER 8: AXLE PLATES & CAMBER PLUGS (CENTER OF GRAVITY; REAR SEAT HEIGHT)

3. Reposition the camber clamp to the desired height, making sure that the locating pin on the inside of the clamp is secured inside one of the notches on the axle plate. See Figure 8-4. Note that the notches in the axle plate are spaced in approximately 5/16" increments.
4. Reinstall the two hex bolts that secure the camber clamp to the axle plate, making sure all washers are reinstalled in the exact same order as they were originally installed. Initially each hex bolt should be finger-tight. See Figure 8-3.
5. The two hex bolts should be tightened to 30 ft-lbs. in order to insure that the back wheel is properly toed, it is important to tighten these bolts as follows:
 - a. Alternating between the forward and rearward hex bolts. Use the torque wrench to turn each bolt approximately one-half turn. Continue alternating until each bolt has been tightened to 30 ft-lbs.
 - b. Visually inspect the gap between the non-threaded camber clamp and the threaded camber clamp both forward and rearward of the axle plate.
 - c. If necessary, use the torque wrench to tighten down the side where the gap described above is larger.
6. Repeat Steps 3 and 4 with the camber clamp on the opposite side of the chair. Make sure the second camber clamp is mounted in exactly the same location on the opposite side of the frame.
7. Securely tighten all four hex bolts.
8. Using a level, make sure that the flats on each camber plug are perpendicular to the ground. If necessary, loosen the two Allen screws that secure the camber plug with the camber clamp and rotate the camber plug within the clamp to ensure that the flats are perpendicular to the ground. See Figure 8-5.
9. Reinstall the rear wheels.
10. Check the toe-in/toe-out and adjust as needed and square the casters as needed.
11. Adjust the wheel locks.

Note: If the preceding procedure does not permit you to achieve your desired rear seat height, consider utilizing one of the other configurations shown in Figure 8-1. For example, if your chair was delivered in the configuration shown in Figure 8-1A but you want the rear seat height while maintaining the same center of gravity, then switch the left and right camber mount clamps so as to achieve the configuration shown in Figure 8-1C.

Figure 8-3
Adjusting the Rear Seat Height

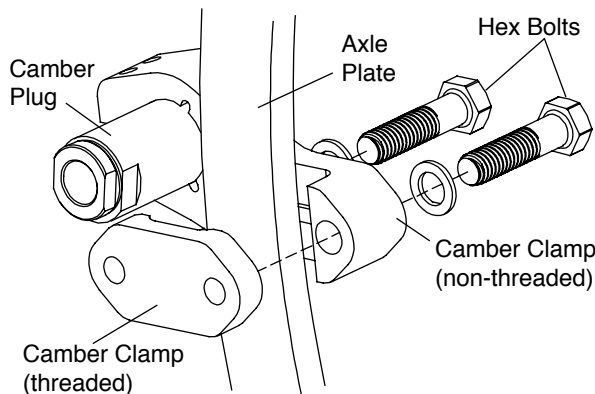
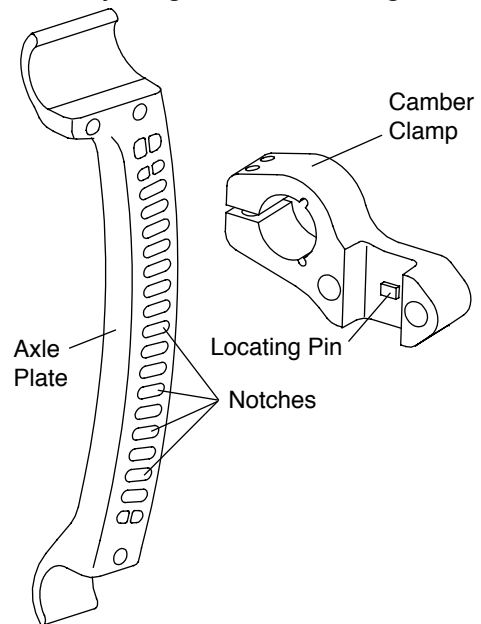


Figure 8-4
Adjusting the Rear Seat Height



Adjusting the Rear Wheel Spacing/Replacing the Camber Plugs

Tools Needed:

- 3/16" Allen Wrench
- Ruler

⚠ WARNING

The inside face of the camber plug must be flush with the inside face of the camber clamp at a minimum. At no time should the camber plug be recessed in the camber clamp. *If you ignore this Warning, you may fall, tip over or lose control of the wheelchair and seriously injure yourself or others or damage the wheelchair.*

CHAPTER 8: AXLE PLATES & CAMBER PLUGS (CENTER OF GRAVITY; REAR SEAT HEIGHT)

1. Remove the rear wheels.
2. Loosen, but do not remove, the two Allen screws that secure the camber plug within each camber clamp. See Figure 8-5. If you are adjusting the rear wheel spacing, only loosen the screws enough to permit the camber plug to slide in and out of the camber clamp and skip to Step 5 below.
3. Remove the camber plug from the camber clamp.
4. Install the new camber plug in the camber clamp.
5. The amount of the camber plug that extends outside of the camber clamp affects the rear wheel spacing. The less of the camber plug that extends outside the camber clamp, the narrower the rear wheel spacing. The more of the camber plug that extends outside the camber clamp, the wider the rear wheel spacing. Make sure the distance from the outside edge of the camber clamp to the end of the camber plug is identical on each side of the chair. See Figure 8-6.

Note: If you desire wider rear wheel spacing, please contact an authorized TiLite supplier or TiLite Customer Service to obtain a rear wheel spacer package. See “Rear Wheel Spacers” on page 12-4.

6. Before tightening the four Allen screws use a level to make sure that the flats on the camber plug are perpendicular to the floor.
7. Securely tighten all four Allen screws.
8. Reinstall the rear wheels.
9. Check the toe-in/toe-out and adjust as needed and square the casters as needed.
10. Adjust the wheel locks as needed.

Figure 8-5
Adjusting the Rear Wheel Spacing

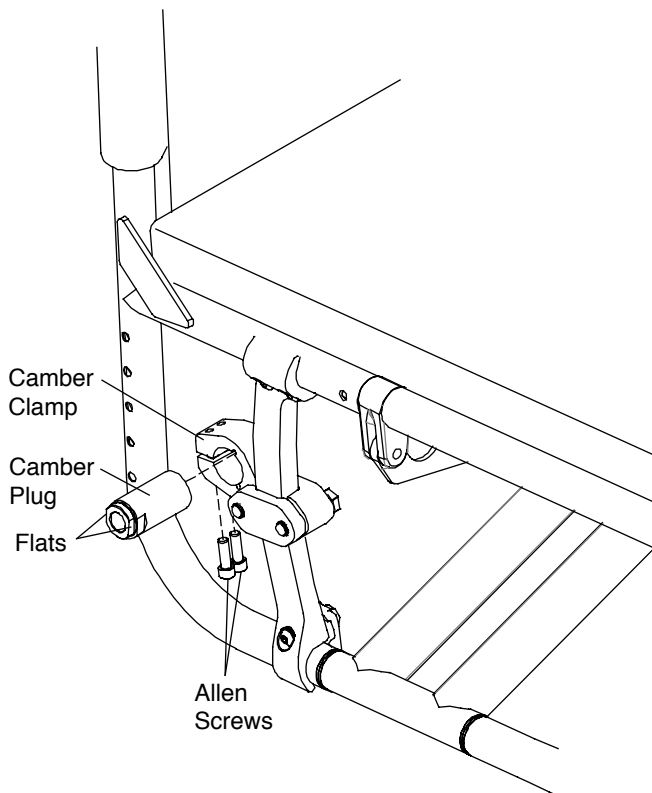
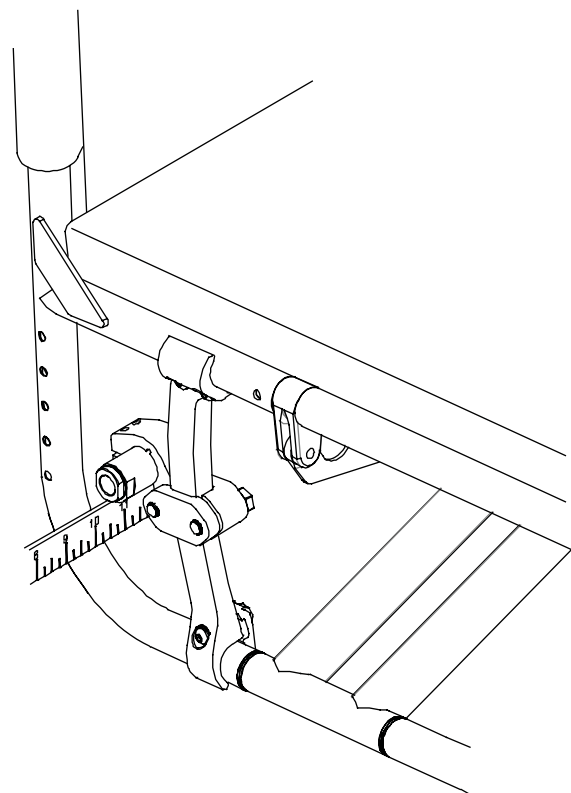


Figure 8-6
Measuring the Rear Wheel Spacing



CHAPTER 8: AXLE PLATES & CAMBER PLUGS (CENTER OF GRAVITY; REAR SEAT HEIGHT)

Adjusting Toe-In/Toe-Out

Tools Needed:

- 3/16" Allen Wrench
 - Ruler or Tape Measure
 - Level
 - 9/16" Torque Wrench
1. Make sure both rear wheels are equally spaced. See "Adjusting Rear Wheel Spacing/Replacing the Camber Plugs" on pages 8-3 to 8-4
 2. Make sure the rear wheels are properly inflated.

⚠WARNING

Do not attempt any of the procedures in this Chapter when the chair is occupied. *If you ignore this Warning, you may fall, tip over or lose control of the wheelchair and seriously injure yourself or others or damage the wheelchair.*

3. Place the chair on all four wheels with the casters trailing toward the rear of the frame. See Figure 8-7.
4. Measure from the floor to the center of the axle (Measurement A). Be sure the tape measure/ruler is perpendicular to the floor. See Figure 8-7.
5. Block the wheels with a heavy object so the chair can not roll forward or backward (do not use the wheel locks as this may affect the toe-in/toe-out adjustment).
6. Measuring from the floor at the rear of each tire, mark the tire (with a felt tip pen) at the same height as Measurement A.
7. Measuring from the floor at the front of each tire, mark the tire (with a felt tip pen) at the same height as Measurement A.
8. Measure the distance between the left and right tires at the rear reference marks made in Step 6. See Figure 8-8.
9. Measure the distance between the left and right tires at the front reference marks made in Step 7.
10. If the measurements in Steps 8 and 9 are the same (within 1/8"), no toeing adjustment is needed, and you may skip to Step 14. If the measurements are not the same, proceed to Step 11.
11. Use the torque wrench to adjust the hex bolts that secure the camber clamps to the threaded camber mounts. Tightening the more rearward bolt should increase the toe-out. Re-measure measurements in Step 8 and 9 to determine if this adjustment has achieved proper toe-in/toe-out continue adjusting these hex bolts until measurements in Step 8 and 9 are equal (within 1/8"). Further, if this adjustment is successful, no toeing adjustment is necessary, you may skip to Step 14, if not, proceed to Step 12.
12. Loosen the Allen screws in each camber clamp that secures the camber plug in place. See "Adjusting Rear Wheel Spacing/Replacing the Camber Plugs" or pages 8-3 to 8-4.
13. If the measurement in Step 9 is less than the measurement in Step 8, rotate both camber plugs rearward to toe-out the rear wheels. If the measurement in Step 9 is greater than the measurement in Step 8, rotate both camber plugs forward to toe-in the wheels. Continue adjusting the axle sleeves until these two measurements are equal.
14. Measure the distance from the frame to the inside of the tire at the front of each tire on both sides of the frame. See Figure 8-9.
15. If the measurement in Step 14 is the same on both sides of the chair, proceed to Step 17.
16. If the measurement in Step 14 is not the same on both sides of the chair, you will need to rotate the camber plugs in the camber clamps as necessary until the measurement is equal on both sides of the chair. Make sure when you rotate the camber plugs, you do not affect the rear wheel spacing. See "Adjusting Rear Wheel Spacing/Replacing the Camber Plugs" on pages 8-3 to 8-4.
17. After adjusting the camber plugs in Step 15, it will be necessary to recheck the toe-in/toe-out. See Steps 6 through 10 above.
18. Securely tighten the Allen screws in the camber clamps. See Figure 8-5.
19. Adjust wheel locks as needed.

CHAPTER 8: AXLE PLATES & CAMBER PLUGS (CENTER OF GRAVITY; REAR SEAT HEIGHT)

Figure 8-7
Adjusting Toe-In/Toe-Out

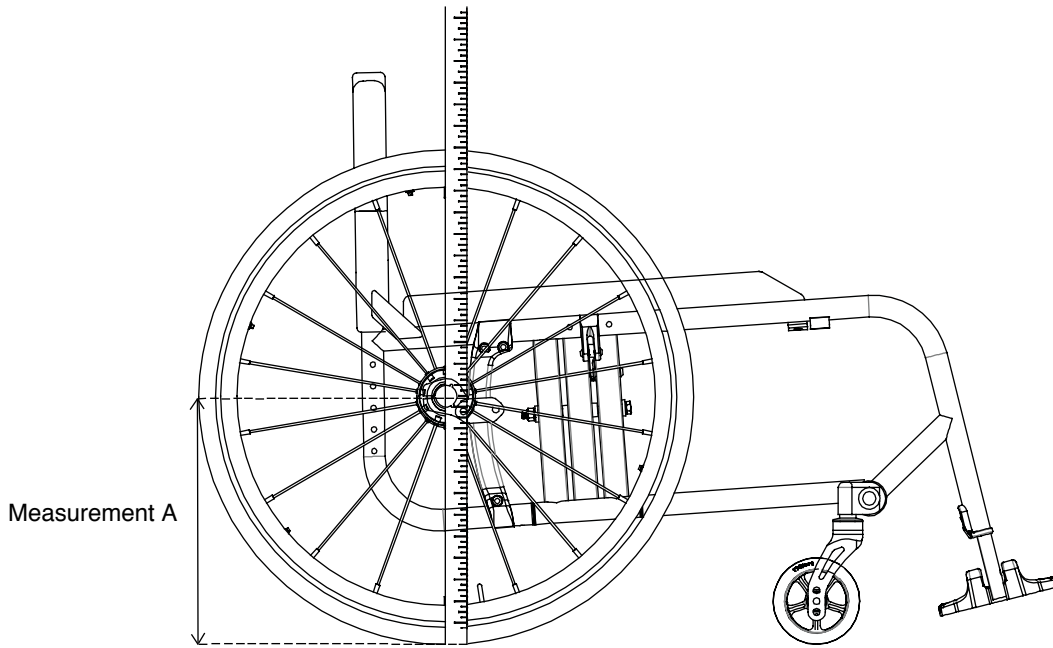
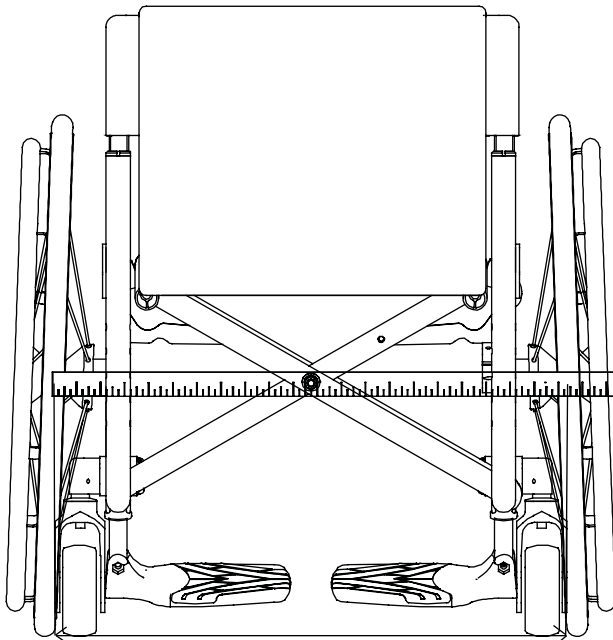
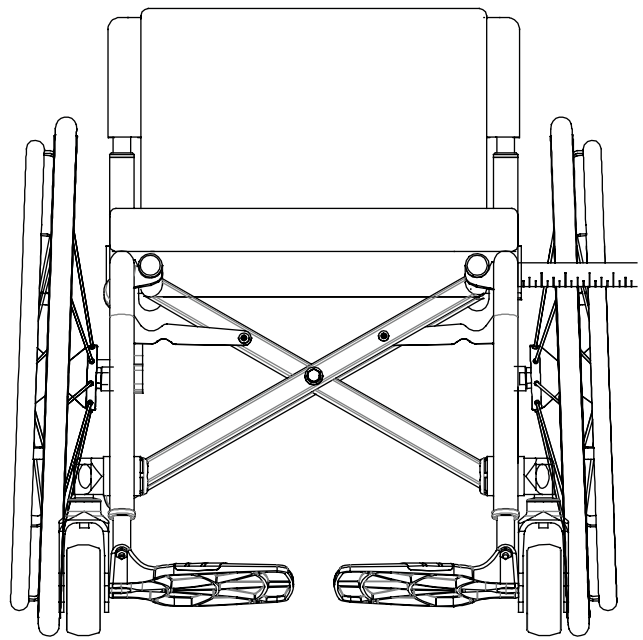


Figure 8-8
Adjusting Toe-In/Toe-Out



Toe-In/Toe-Out
Measurement

Figure 8-9
Adjusting Toe-In/Toe-Out



⚠ WARNING

Do not attempt any of the procedures in this Chapter when the chair is occupied. *If you ignore this Warning, you may fall, tip over or lose control of the wheelchair and seriously injure yourself or others or damage the wheelchair.*

Stainless and Titanium Quick-Release Axles

Adjusting the Quick-Release Axle

⚠ WARNING

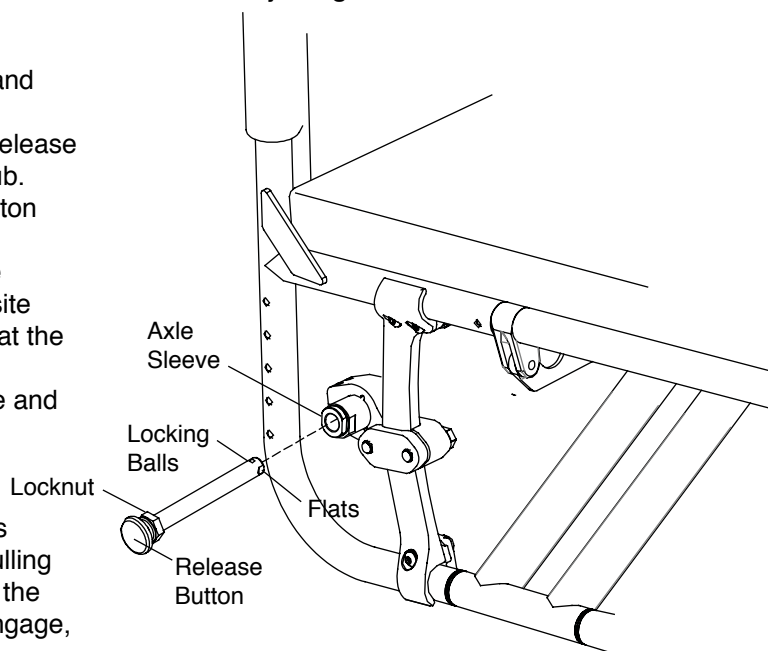
Quick-release axles are pre-adjusted to permit minimal “play” in the axle. TiLite recommends that you do not adjust the axle. Improperly adjusting the axle could cause it to malfunction—too much “play” can cause the axle to bend and become stuck in the axle sleeve; too little “play” can prevent the locking balls from engaging fully, causing the wheel to disengage from the chair without warning. TiLite recommends that any adjustments be made by an authorized TiLite dealer. *If you ignore this Warning, you may fall, tip over or lose control of the wheelchair and seriously injure yourself or others or damage the wheelchair.*

Tools Needed:

- 3/4” Open End Wrench
- 7/16” End Wrench

1. Depress the release button and remove rear wheel and quick-release axle. See Figure 9-1.
2. Remove the axle from the wheel by depressing the release button and sliding the axle through the rear wheel hub.
3. Once removed from the hub, release the release button (the locking balls should be fully extended).
4. Increase or decrease the axle “play” by adjusting the locknut in small increments while securing the opposite end of the axle using the smaller wrench at the flats at the end of the axle.
5. Depress the release button on the quick-release axle and slide the axle through the rear wheel hub.
6. Depress the release button and reinstall the rear wheel into the axle sleeve.
7. Before riding in the chair, make sure the locking balls have fully secured the wheel in the axle sleeve by pulling on the hub without depressing the release button on the quick-release axle. If the locking balls do not fully engage, repeat these procedures and increase the “play” (i.e., increase the distance between the locknut and the locking balls) to permit the locking balls to fully engage properly. Also check to make sure there is not too much “play” in the axle.

Figure 9-1
Adjusting the Quick-Release Axle



Quad Quick-Release Axles

Adjusting the Quad Quick-Release Handle

⚠ WARNING

Quick release axles are pre-adjusted to permit minimal “play” in the axle. TiLite recommends that you do not adjust the axle. Improperly adjusting the axle could cause it to malfunction—too much “play” can cause the axle to bend and become stuck in the axle sleeve; too little “play” can prevent the locking balls from engaging fully, causing the wheel to disengage from the chair without warning. TiLite recommends that any adjustments be made by an authorized TiLite dealer. *If you ignore this Warning, you may fall, tip over or lose control of the wheelchair and seriously injure yourself or others or damage the wheelchair.*

If the release handle does not flip back and forth from locked to unlocked properly, or if you cannot fully engage it in the locked position or the unlocked position, the procedure below will permit you to adjust the operation of the handle.

CHAPTER 9: AXLES AND AMPUTEE ADAPTERS

Tools Needed:

- 5/64" Allen Wrench

1. Flip the quick-release handle to the unlocked position and remove the rear wheel and quick-release axle. See Figure 9-2, 9-3 and 9-4.
2. Flip the quick-release handle to the locked position.
3. To adjust the "play" between the quick-release handle and the release button inside the quick-release nut: (a) loosen Set Screw 2 on the quick-release nut; (b) rotate the quick-release nut clockwise or counter-clockwise on the axle until the release button inside the quad quick-release nut just touches the release handle while it is in the locked position; and (c) tighten Set Screw 2.
4. Adjusting the "play" in the quick-release handle may necessitate an adjustment to the "play" between the collar and the wheel hub. See "Adjusting the Play" on page 9-3.
5. With the quick-release handle in the unlocked position, reinstall the rear wheel on the chair.
6. Before riding in the chair, make sure the locking balls have fully secured the wheel in the axle sleeve by pulling on the hub with the release handle in the locked position. If the locking balls do not fully engage, repeat these procedures to increase the "play" (i.e., increase the distance between the quick-release nut and the locking balls), to permit the locking balls to fully engage properly. Also check to make sure there is not too much "play" in the axle. See "Adjusting the Play" on page 9-3.

⚠ WARNING

The threads on the Set Screws on the Quad Release Axles Assemblies are treated with Loctite® 242®, a medium strength thread lock. If you loosen any Set Screw, you **MUST** remove and reapply Loctite® 242® or an equivalent medium strength thread lock. *If you ignore this Warning, your rear wheel could become loose or fall off and you could fall, tip over or lose control of the wheelchair and seriously injure yourself or others or damage the wheelchair.*

Figure 9-2

High Flange Quad Quick-Release Axle Adjustment

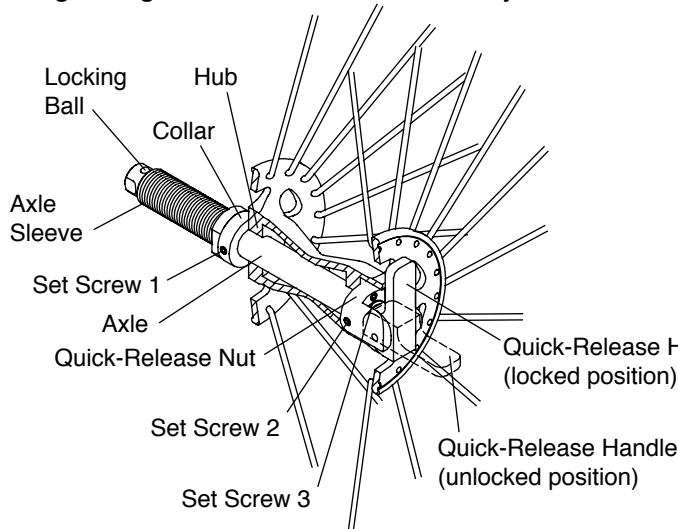
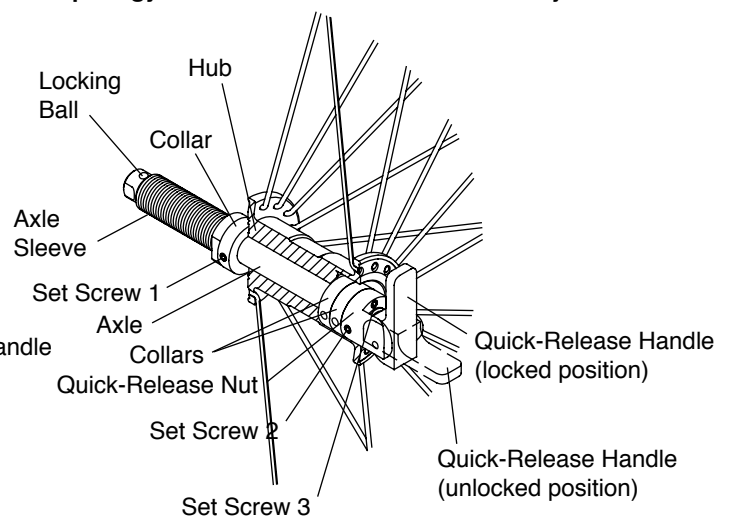


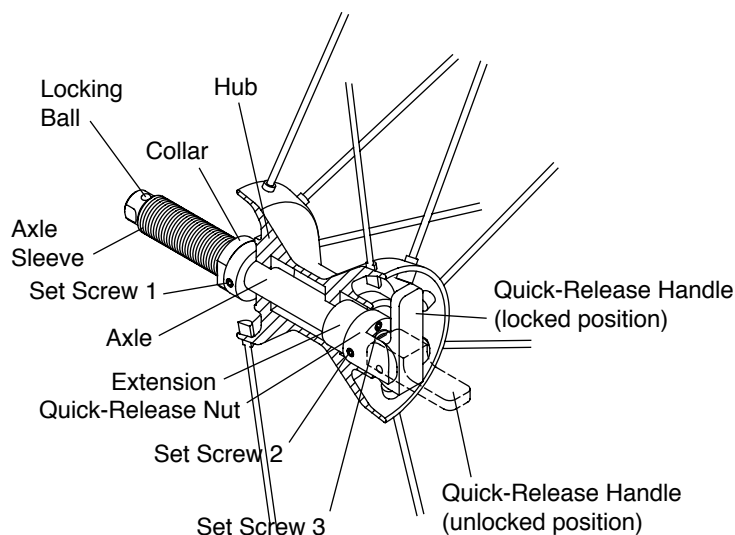
Figure 9-3

Spinergy Wire Quad Quick-Release Axle Adjustment



CHAPTER 9: AXLES AND AMPUTEE ADAPTERS

Figure 9-4
Spinergy Spox and LX Quad Quick-Release Axle Adjustment



Adjusting the “Play”

Tools Needed:

- 5/64” Allen Wrench

⚠WARNING

Quad quick-release axles are pre-adjusted to permit minimal “play” in the axle. TiLite recommends that you do not adjust the axle. Improperly adjusting the axle could cause it to malfunction—too much “play” can cause the axle to bend and become stuck in the axle sleeve; too little “play” can prevent the locking balls from engaging fully, causing the wheel to disengage from the chair without warning. TiLite recommends that an authorized TiLite dealer make any adjustments. *If you ignore this Warning, you may fall, tip over or lose control of the wheelchair and seriously injure yourself or others or damage the wheelchair.*

If there is too much “play” in the axle so the wheel is loose when locked into position in the axle sleeve or too little “play” so the locking balls do not properly engage, follow this procedure:

1. Flip the quick-release handle to the unlocked position and remove the rear wheel and the quad quick-release axle. See Figure 9-2, 9-3 and 9-4.
2. Adjust Set Screw 3 on the quad quick-release nut so that no portion of Set Screw 3 is protruding out of the opposite side of the quick release nut (the side adjacent to the wheel hub).
3. Loosen Set Screw 1 on the collar.
4. Replace the wheel on the chair.
5. With the wheel still on the chair and the quad quick-release handle in the locked position so the locking balls are fully engaged, securely tighten Set Screw 1 so the collar is securely on the axle sleeve.
6. With the release handle in the unlocked position, turn Set Screw 3 clockwise to remove any remaining “play” between the wheel hub and collar.
7. Flip the quad quick-release handle to the locked position and check the “play” in the axle. Make sure the locking balls fully engage and lock the axle into the camber tube. If there is still too much “play” in the axle, repeat the procedure in step 6. If you have taken too much “play” out of the axle, repeat the procedure in step 6, but turn Set Screw 3 counter-clockwise to add “play” to the axle.
8. Before riding in the chair, check the “play” in the wheel and check to make sure the locking balls have fully secured the axle inside the axle sleeve by pulling on the hub with the quad quick-release handle in the locked position. If the locking balls do not properly engage or there is too much “play”, return to Step 1 and repeat this procedure.

⚠WARNING

The threads on the Set Screws on the Quad Quick-Release Axle Assemblies are treated with Loctite® 242®, a medium strength thread lock. If you loosen any Set Screw, you MUST remove and reapply Loctite® 242® or an equivalent medium strength thread lock. *If you ignore this Warning, your rear wheel could become loose or fall off and you could fall, tip over or lose control of the wheelchair and seriously injure yourself or others or damage the wheelchair.*

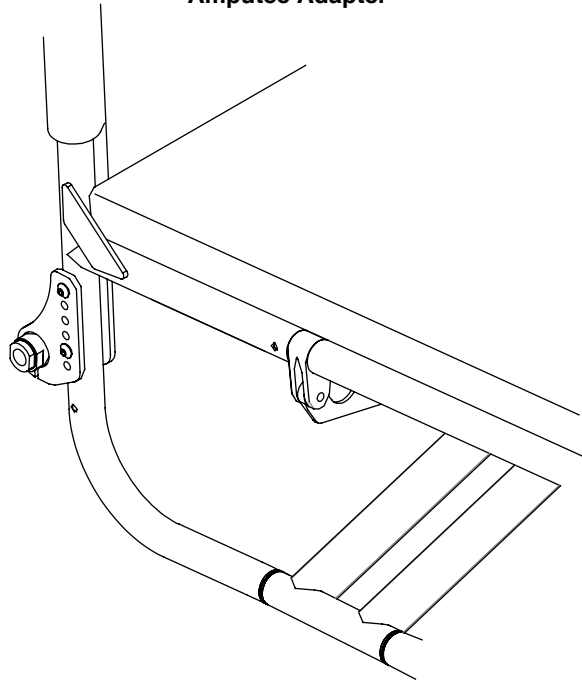
CHAPTER 9: AXLES AND AMPUTEE ADAPTERS

Amputee Adapters

Amputee adapters serve to locate the camber plugs behind the rear of the wheelchair. Positioning the camber plugs behind the rear of the chair shifts the center of gravity rearward and increases the stability of the chair. Figure 9-5 shows the configuration when amputee adapters are used.

You can adjust the rear seat height and center of gravity, and you can replace the camber plugs by following the procedures and using the tools in Chapter 8: Axle Plates and Camber Plugs (Center of Gravity; Rear Seat Height).

Figure 9-5
Amputee Adapter



⚠ WARNING

TiLite recommends that you remove the wheel locks from your chair frame prior to engaging in any sport. *If you ignore this Warning, you may seriously injure yourself or others or damage the wheelchair.*

⚠ WARNING

The wheel stop must embed into the tire at least 3/16" or the chair may roll unexpectedly. Therefore, before adjusting the lock you must inflate the tires to the recommended tire pressure (see sidewall of the tire). If you adjust the locks when the tires are under-inflated, the lock will not operate properly when the tire is fully inflated. *If you ignore this Warning, you may fall, tip over or lose control of the wheelchair and seriously injure yourself or others or damage the wheelchair.*

⚠ WARNING

After adjusting the wheel locks, engage the wheel locks and push against the tires to verify that the wheel locks prevent the wheels from moving. If not, readjust the wheel locks until the wheel locks securely prevent the chair from rolling. *If you ignore this Warning, you may fall, tip over or lose control of the wheelchair and seriously injure yourself or others or damage the wheelchair.*

Compact Push to Lock

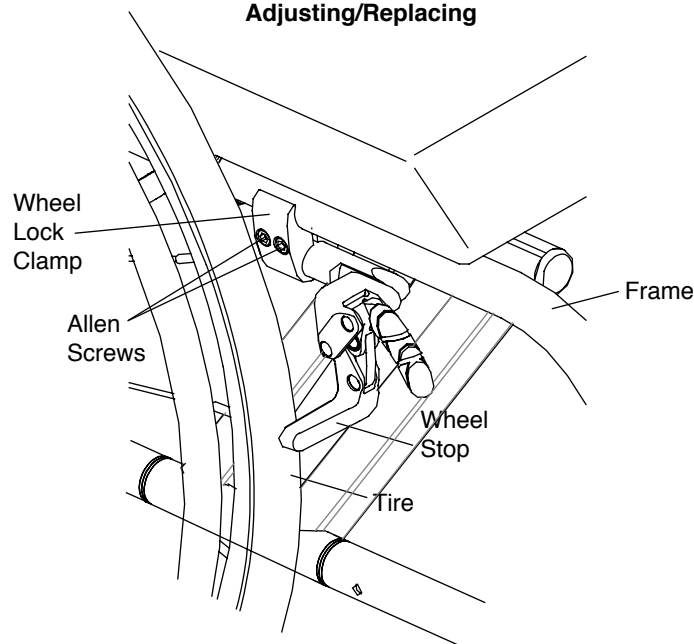
Adjusting

Tools Needed:

- 3/16" Allen Wrench

1. Loosen, but do not remove, the Allen screws in the wheel lock clamp. See Figure 10-1.
2. Adjust the position of the wheel lock clamp on the frame so the wheel stop embeds at least 3/16" into the tire when engaged in the locked position.
3. Securely tighten the two Allen screws that secure the wheel lock clamp to the frame.

Figure 10-1
Adjusting/Replacing



Replacing

Tools Needed:

- 3/16" Allen Wrench

1. Loosen, but do not remove, the two Allen screws that secure the wheel lock clamp to the frame. See Figure 10-1.
2. Slide the wheel lock out of the clamp.
3. Slide the new wheel lock into the wheel lock clamp, but do not tighten the Allen screws.
4. Follow the procedures under "Compact Push to Lock - Adjusting" on page 10-1 to position and secure the new wheel lock.

CHAPTER 10: WHEEL LOCKS

Compact Pull to Lock

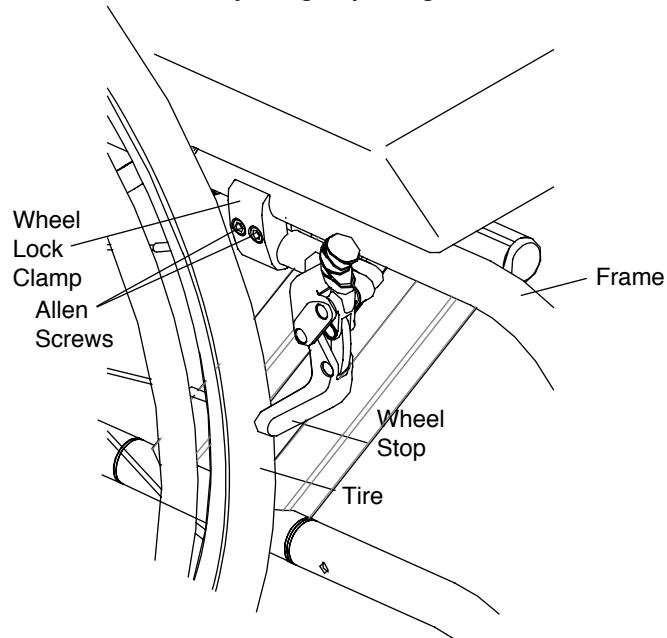
Adjusting

Tools Needed:

- 3/16" Allen Wrench

1. Loosen, but do not remove, the Allen screws in the wheel lock clamp. See Figure 10-2.
2. Adjust the position of the wheel lock clamp on the frame so the wheel stop embeds at least 3/16" into the tire when engaged in the locked position.
3. Securely tighten the two Allen screws that secure the wheel lock clamp to the frame.

Figure 10-2
Adjusting/Replacing



Replacing

Tools Needed:

- 3/16" Allen Wrench

1. Loosen, but do not remove, the two Allen screws that secure the wheel lock clamp to the frame. See Figure 10-2.
2. Slide the wheel lock out of the clamp.
3. Slide the new wheel lock into the wheel lock clamp, but do not tighten the Allen screws.
4. Follow the procedures under "Compact Pull to Lock - Adjusting" on page 10-2 to position and secure the new wheel lock.

Compact Push to Lock and Compact Pull to Lock with Extension Handles

All of the adjustments set forth under "Compact Push to Lock and Compact Pull to Lock" on pages 10-1 to 10-2 apply to the Compact Push to Lock and Compact Pull to Lock with Extension Handles.

Uni-Lock

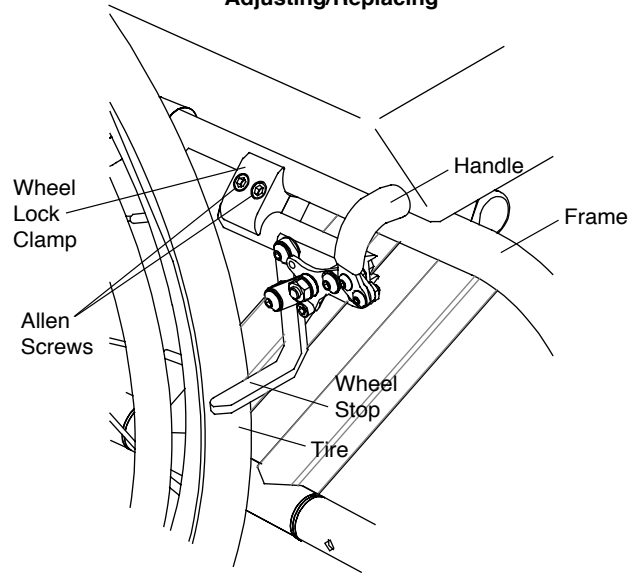
Adjusting

Tools Needed:

- 3/16" Allen Wrench

1. Loosen, but do not remove, the two Allen screws in the wheel lock clamp. See Figure 10-3.
2. Adjust the position of the wheel lock clamp on the frame so the wheel stop embeds at least 3/16" into the tire when engaged in the locked position.
3. Securely tighten the two Allen screws that secure the wheel lock clamp to the frame.

Figure 10-3
Adjusting/Replacing



Replacing

Tools Needed:

- 3/16" Allen Wrench

1. Loosen the two Allen screws that secure the wheel lock clamp to the frame. See Figure 10-3.
2. Slide the wheel lock out of the clamp.
3. Slide the new Uni-Lock into the wheel lock clamp, but do not tighten the Allen screws.
4. Follow the procedures under "Uni-Lock - Adjusting" on page 10-2 to position and secure the new wheel lock.

Changing the Uni-Lock from the Push to the Pull Position

Tools Needed:

- 5/32" Allen Wrench

The Uni-Lock wheel lock can be set up so that you either pull the handle to engage the lock or push the handle to engage the lock. To determine which setup you have, locate the small Socket Head Cap screw in the wheel lock handle base. If it is in the upper position (see Figure 10-4), the Uni-Lock is set to the "Pull to Lock" position. If it is in the lower position (see Figure 10-5), the Uni-Lock is set to the "Push to Lock" position.

Figure 10-4
Pull to Lock Position

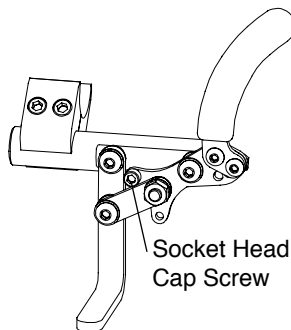
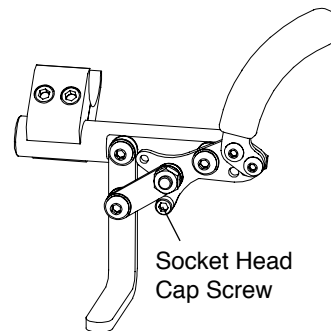


Figure 10-5
Push to Lock Position

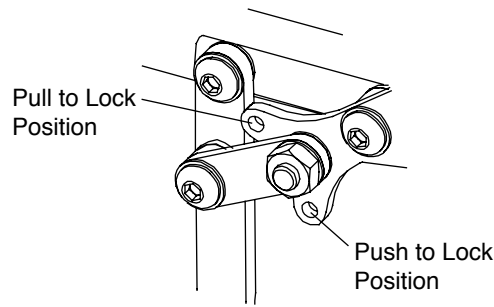


You can change the operation from pull to push or vice versa as follows:

1. Remove the Socket Head Cap screw and reposition it to either the "Pull to Lock" or "Push to Lock" position, as desired. See Figure 10-6.
2. Securely tighten the Socket Head Cap screw.

CHAPTER 10: WHEEL LOCKS

Figure 10-6
Repositioning the Handle



Repositioning the Handle of the Uni-Lock Wheel Lock

Six (6) handle positions are achievable using the Uni-Lock. See Figures 10-7 through 10-10. Each handle position can be used as either a "Pull to Lock" or a "Push to Lock" (see "Changing the Uni-Lock from the Push to the Pull Position" on page 10-3), resulting in 12 possible Uni-Lock setups.

Figures 10-7 through 10-10 show the handle in both the engaged (locked) and disengaged (unlocked) positions. Study the Figures to determine which handle configuration will work best for you. Follow the directions below to reconfigure your handle to the desired configuration.

Figure 10-7
Standard Handle Positions 1, 2 and 3 (Locked)

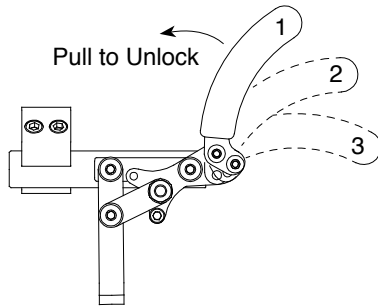


Figure 10-8
Standard Handle Positions 1, 2 and 3 (Unlocked)

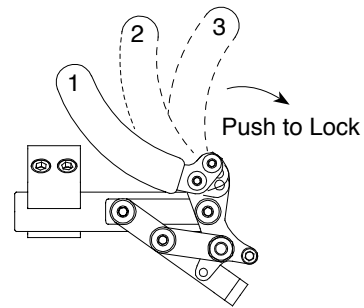


Figure 10-9
Reverse Handle Positions 1, 2 and 3 (Locked)

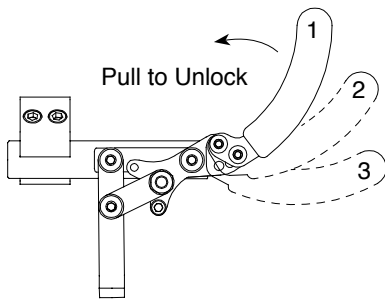
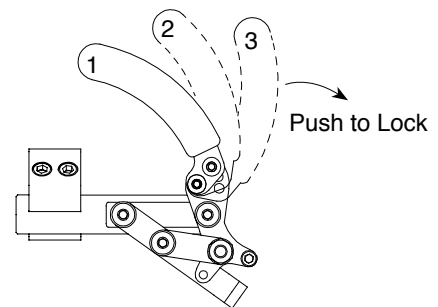


Figure 10-10
Reverse Handle Positions 1, 2 and 3 (Unlocked)



Standard Handle Positions 1, 2, 3

The Uni-Lock ships with the handle in Standard Position 3. If you desire to switch to Standard Positions 1 or 2, follow the procedures below.

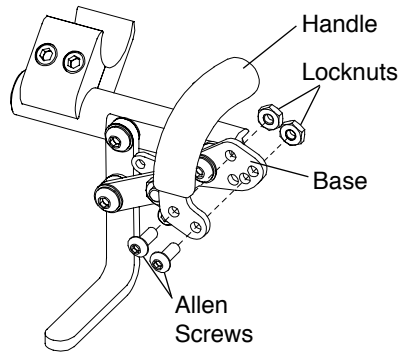
Tools Needed:

- 1/8" Allen Wrench
- 3/8" Open End Wrench

1. As shown in Figure 10-11, the wheel lock handle attaches to the wheel lock handle base with two Allen screws. There is only one hole in the wheel lock handle base through which to attach the upper Allen screw. There are three holes in

- the wheel lock handle base through which to attach the lower Allen screw.
2. Remove the lower Allen screw and locknut that secure the wheel lock handle to the wheel lock handle base.
 3. Loosen, but do not remove, the upper Allen screw that secures the wheel lock handle to the wheel lock handle base.
 4. Reposition the wheel lock handle to the desired Standard Handle Position 1, 2 or 3 (see Figures 10-7 and 10-8) and replace the Allen screw and locknut.
 5. Securely tighten both Allen screws and locknuts.

Figure 10-11
Removing the Wheel Lock Handle



Reversed Handle Positions 1, 2, 3

You can achieve three additional wheel lock handle positions for your Uni-Lock by reversing the wheel lock handles from the right and left Uni-Locks. To do this, follow the procedures below.

Tools Needed:

- 1/8" Allen Wrench
- 3/8" Open End Wrench

1. Remove the two Allen screws and locknuts that secure the wheel lock handle to the wheel lock handle base on both the right and left Uni-locks. See Figure 10-11.
2. Install the wheel lock handle from the left Uni-Lock on the right Uni-Lock in the desired position. See Figures 10-9 and 10-10.
3. Install the wheel lock handle from the right Uni-Lock on the left Uni-Lock.
4. Securely tighten all screws and locknuts.

Uni-Lock with Extension Handles

All of the adjustments set forth under "Uni-Lock" on pages 10-2 to 10-5 apply to the Uni-Lock with Extension Handles.

Compact Scissor Lock

Adjusting

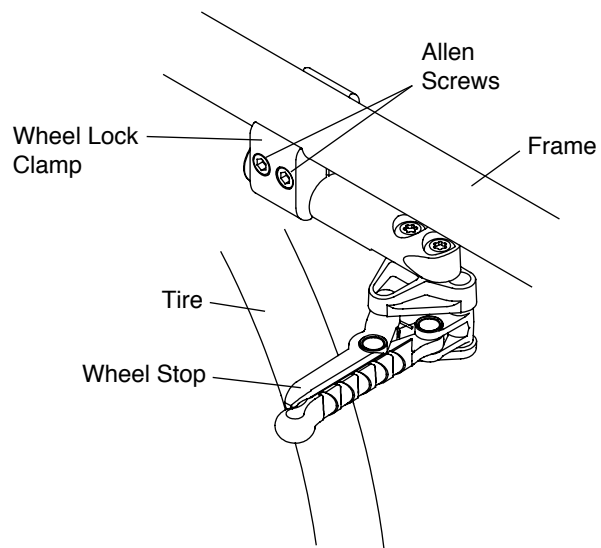
Tools Needed:

- 3/16" Allen Wrench

1. Loosen, but do not remove, the two Allen screws in the wheel lock clamp. See Figure 10-12.
2. Adjust the position of the wheel lock clamp on the frame so the wheel stop embeds at least 3/16" into the tire when engaged in the locked position.
3. Securely tighten the two Allen screws that secure the wheel lock clamp to the frame.

CHAPTER 10: WHEEL LOCKS

Figure 10-12
Adjusting/Replacing



Replacing

Tools Needed:

- 3/16" Allen Wrench

1. Loosen, but do not remove, the two Allen screws that secure the wheel lock clamp to the frame. See Figure 10-12.
2. Slide the wheel lock out of the clamp.
3. Slide the new wheel lock into the wheel lock clamp, but do not tighten the two Allen screws.
4. Follow the procedures under "Compact Scissor Lock - Adjusting" on page 10-5 to position and secure the new wheel lock.

CHAPTER 11: CASTERS, FORKS AND CASTER PIN LOCKS

Standard Forks

⚠ WARNING

Always mount identical size casters and forks on both sides of your chair. *If you ignore this Warning, you may fall, tip over or lose control of the wheelchair and seriously injure yourself or others or damage the wheelchair.*

Replacing Casters

Tools Needed:

- Two #2 Phillips Head Screw Drivers

1. Remove the two Phillips Head screws, C Spring washers and axle that secure the caster to the fork. Use one screw driver to hold one screw in place and a second screw driver to loosen the other screw. See Figure 11-1.
2. Remove the caster and spacers from the fork.
3. Install the new caster, spacers and C Spring washers onto the fork and securely tighten the two screws so there is no space between the caster, the spacers and the fork sides. Use one screw driver to hold one screw in place and securely tighten the other screw with the second screw driver.

Note: If your chair has 4", 5" or 6" TiLite Litespeed casters, make sure that Spacer 2 (which is wider than Spacer 1) is positioned on the recessed side of the caster, which should be oriented outwards when the casters are in the trailing position.

Replacing Forks

Tools Needed:

- 9/16" Socket Wrench

⚠ WARNING

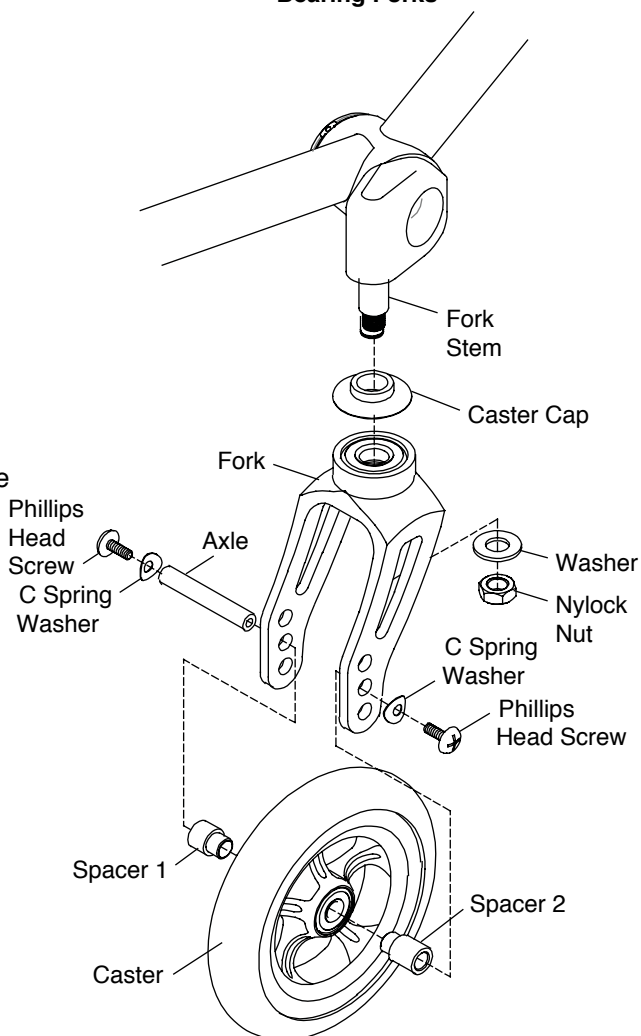
The fork stem is permanently installed in the Caster Mount. Do not attempt to unscrew the fork stem. If you have an Aero X and it becomes necessary to replace the fork stem, you will need to order the Caster Mount/fork stem assembly. *If you ignore this Warning, you may fall, tip over or lose control of the wheelchair and seriously injure yourself or others or damage the wheelchair.*

1. Remove the casters. See "Replacing Casters" on page 11-1.
2. Loosen and remove the nylock nut and washer that secure the fork to the fork stem. See Figure 11-1.
3. Remove the old fork and caster cap and install the replacement fork and old caster cap on the fork stem.
4. Replace the nylock nut and washer and securely tighten.
5. Reinstall the casters. See "Replacing Casters" on page 11-1.

Adjusting the Front Seat Height

Note: Depending on the fork that came with your chair, you may be able to adjust the front seat height of your chair up or down without changing the casters to a larger or smaller size. Follow the procedures under "Replacing Casters" on page 11-1 to mount the casters in the alternative axle holes in the fork. The full range of adjustability may not be available with 5", 6" or 8" casters. Additional adjustability may be achieved with different forks or casters or with fork stem extensions. Contact TiLite Customer Service for assistance.

Figure 11-1
Bearing Forks



CHAPTER 11: CASTERS, FORKS AND CASTER PIN LOCKS

Caster Pin Locks

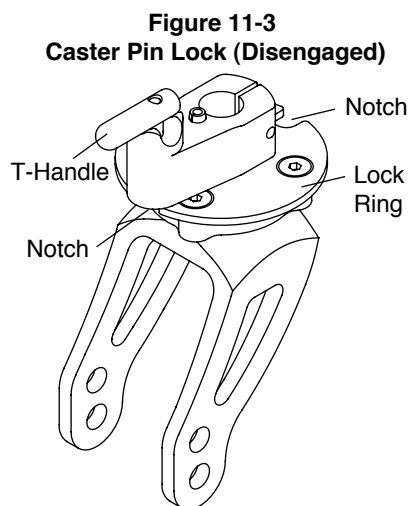
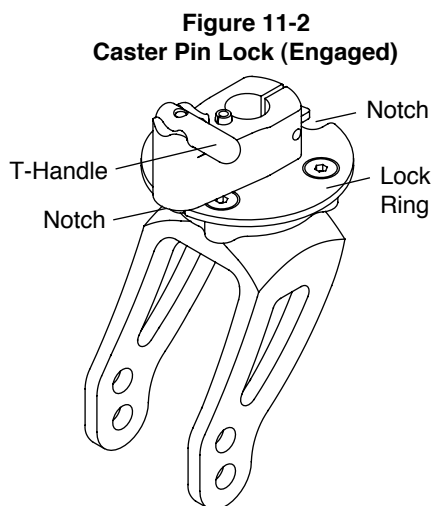
⚠ WARNING

ALWAYS be sure to disengage both caster pin locks before attempting to propel your chair. *If you ignore this Warning, you may fall, tip over or lose control of the wheelchair and seriously injure yourself or others or damage the wheelchair.*

To engage the caster pin lock:

1. Rotate the caster until either notch on the lock ring is directly beneath the T-Handle. See Figure 11-2.
2. Lift, rotate and lower the T-Handle into the engaged position on the caster pin lock. See Figure 11-2.
3. Make sure the pin lock is fully engaged in one of the notches in the lock ring.

To disengage the caster pin lock, lift, rotate and lower the T-Handle into the disengaged position on the caster pin lock. See Figure 11-3.



Floating Casters

Tools needed:

- 1/8" Allen Wrench
- Wood Block (1" Minimum)
- Drafting Triangle
- Rubber Mallet
- Ruler or Measuring Tape

Note: TiLite designs its folding wheelchairs to be flexible for improved maneuverability and increased ride comfort. However, this flexibility requires that your chair be set up properly. The following procedure will enable you to set up your TiLite folding wheelchair so it will perform to its potential.

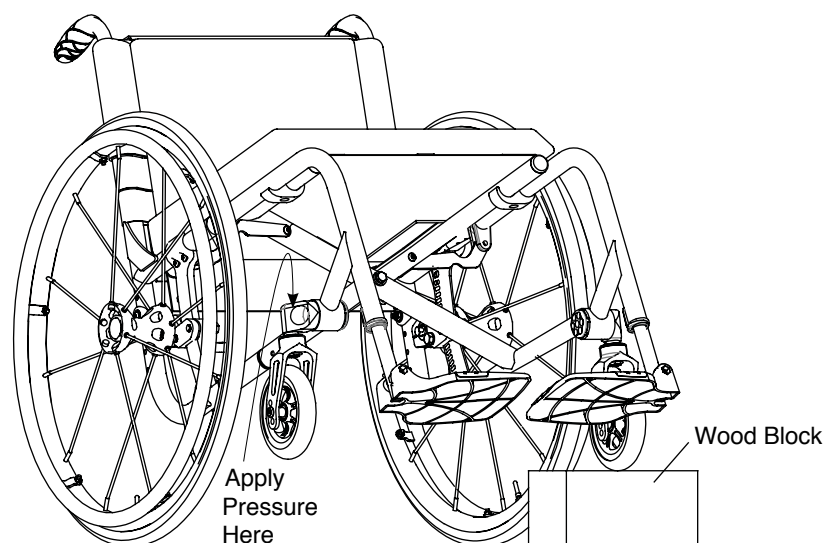
1. Place the wheelchair on a smooth, level surface with the casters trailing rearward.
2. Before making any adjustments to the chair, it is important to check the following:
 - a. The tires are properly inflated to the PSI rating shown on the sidewall of the tire.
 - b. The camber plugs are properly centered on the frame side to side, the number and/or bevel on the bottom side with the flats perpendicular to the floor. For adjustments see "Standard Camber Plug - Adjusting the Rear Wheel Spacing/ Replacing the Camber Plugs" on page 8-3.
 - b. The toe-in/toe-out is correctly set up (see "Adjusting Toe-In/Toe-Out" on page 8-5).

All items in this list are performed at the factory to ensure proper frame alignment before shipping. If an adjustment still needs to be made, complete it before proceeding. If no adjustment is needed, proceed to Step 3.

3. Place a wood block under the caster which is not floating. See Figure 11-4.
4. Apply gentle downward pressure on the caster mount of the floating caster. It is advisable that you have an assistant to place downward pressure on the opposite side of the chair at the backrest when making this adjustment.
5. Remove the wood block and check to see if the caster still floats. If the caster still floats, or if the other caster starts to float, repeat Steps 3 and 4 until the caster no longer floats. If the floater continues and cannot be corrected using these steps, please contact TiLite Customer Service.

CHAPTER 11: CASTERS, FORKS AND CASTER PIN LOCKS

Figure 11-4
Fixing a Floating Caster



Fork Extensions

Tools Needed:

- 5/32" Allen Wrench
- 7/16" Open End Wrench
- 9/16" Box Wrench

1. Remove the caster. See "Standard Fork - Replacing Casters" on page 11-1.
2. Remove the fork. See "Standard Fork - Replacing Forks" on page 11-1.
3. Slide on the caster extension. See Figure 11-5.
4. Reinstall the fork. See "Standard Fork - Replacing Forks" on page 11-1.
7. Reinstall the caster. See "Standard Fork - Replacing Casters" on page 11-1.
8. Follow the procedures under "Angle Adjustable Speedloader Caster Mount" on page 11-8 to square the caster.

⚠ WARNING

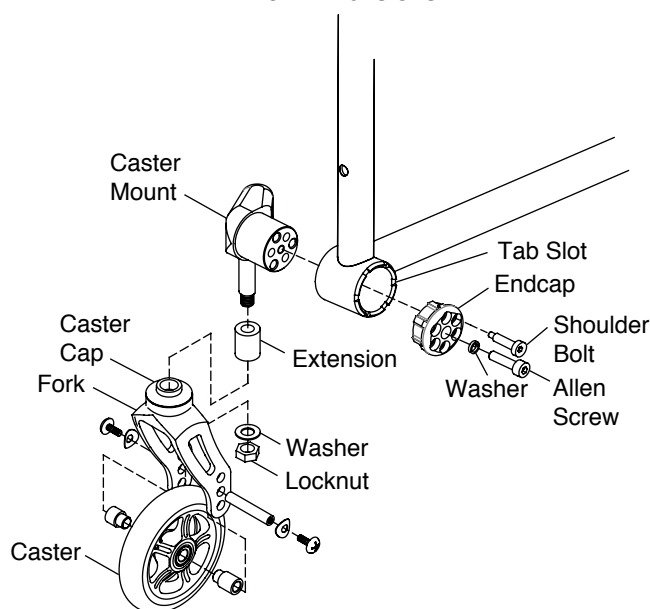
The fork stem is permanently installed in the Caster Mount. Do not attempt to unscrew the fork stem. If you are ordering a fork extension and currently have the standard fork stem, you will need to order the appropriate length, caster mount/fork stem assembly. *If you ignore this Warning, you may fall, tip over or lose control of the wheelchair and seriously injure yourself or others or damage the wheelchair.*

Glide Forks

⚠ WARNING

Always mount identical size casters and forks on both sides of your chair. *If you ignore this Warning, you may fall, tip over or lose control of the wheelchair and seriously injure yourself or others or damage the wheelchair.*

Figure 11-5
Fork Extensions



CHAPTER 11: CASTERS, FORKS AND CASTER PIN LOCKS

Replacing Casters (Standard Fork)

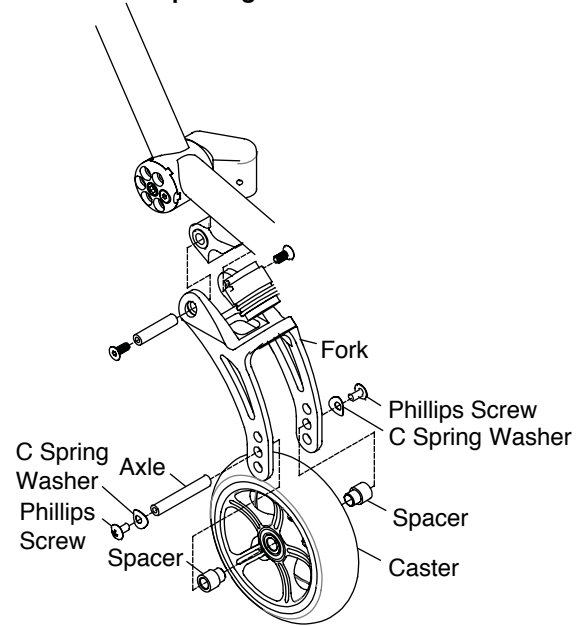
Tools Needed:

- Two Phillips Screwdrivers

1. Remove the two Allen screws, C Spring washers and axle that secure the caster to the fork. Use one Phillips screwdriver to hold one screw in place and a second Phillips screwdriver to loosen the other screw. See Figure 11-6.
2. Remove the caster and spacers from the fork.
3. Install the new caster, spacers and C Spring washers onto the fork and securely tighten the two screws so there is no space between the caster, the spacers and the fork sides. Use one Phillips screwdriver to hold one screw in place and securely tighten the other screw with the second Phillips screwdriver.

Note: If your chair has 4", 5" or 6" TiLite Litespeed casters, make sure that Spacer 2 (which is wider than Spacer 1) is positioned on the recessed side of the caster, which should be oriented outwards when the casters are in the trailing position.

Figure 11-6
Replacing the Caster



Replacing Casters (Slipstream Single-Sided Fork)

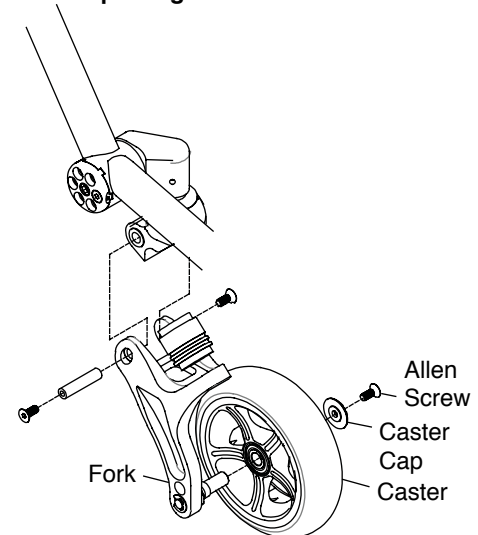
Tools Needed:

- 1/8" Allen Wrench

1. Remove the Allen screw and caster cap. See Figure 11-7.
2. Remove the caster.
3. Install the new caster onto the Slipstream Single-Sided Fork, replace the single sided caster cap and securely tighten the screw so there is no space between the caster and the Slipstream Single-Sided Fork side.

Note: If you are replacing your casters with a wider caster, you must replace the axle with a longer axle. Likewise, if you are replacing your wide caster with a smaller width caster, make sure you also order the shorter axle.

Figure 11-7
Replacing the Caster



Replacing Glide Forks (Standard and Slipstream Single-Sided)

Tools Needed:

- Two 1/8" Allen Wrenches
- 9/16" Socket Wrench

1. Remove the casters. See "Glide Forks - Replacing Casters (Standard Fork)" on page 11-4 or "Glide Forks - Replacing Casters (Slipstream Single-Sided Fork)" on page 11-4.
2. Remove the Allen screws from the fork pivot and push out the pivot axle. See Figures 11-8 and 11-9.
3. Separate the two halves of the Glide fork.
4. Using the socket wrench, loosen and remove the locknut and washer from the fork stem. Slide the fork pivot and caster cap off of the fork stem. Slide the caster cap and replacement fork pivot onto the fork stem and holding the parts in place, slide the washer onto the fork stem and tighten the locknut.
5. Push firmly on the two halves of the Glide fork with the elastomer in place, aligning the holes of the fork pivot with the fork. Insert the pivot axle, reinstall the Allen screws and securely tighten.
6. Reinstall the casters. See "Glide Forks - Replacing Casters (Standard Fork)" on page 11-4 or "Glide Forks - Replacing Casters (Slipstream Single-Sided Fork)" on page 11-4.

CHAPTER 11: CASTERS, FORKS AND CASTER PIN LOCKS

Figure 11-8
Replacing Standard Glide Forks

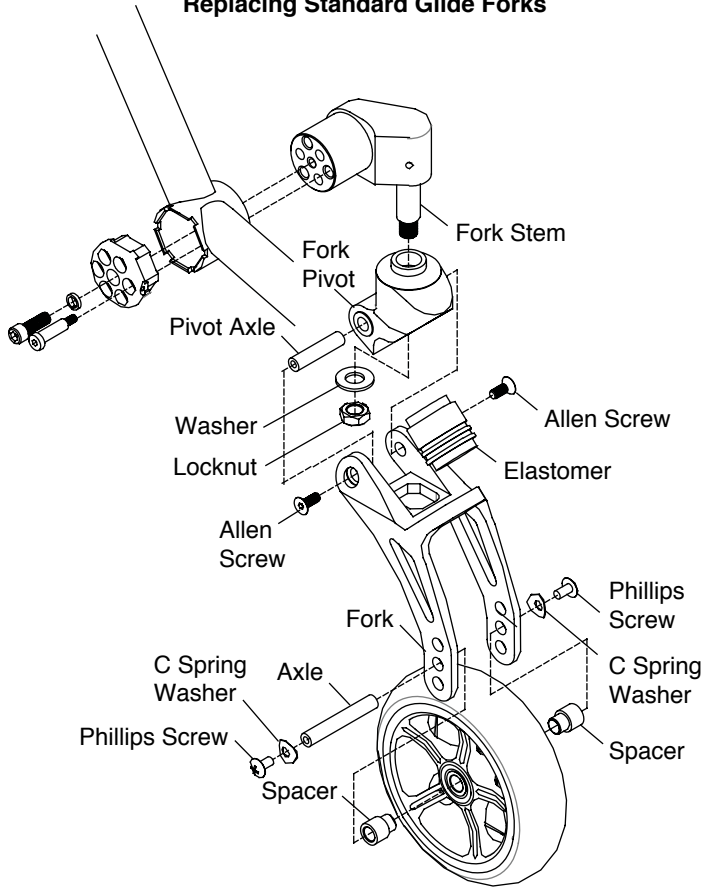
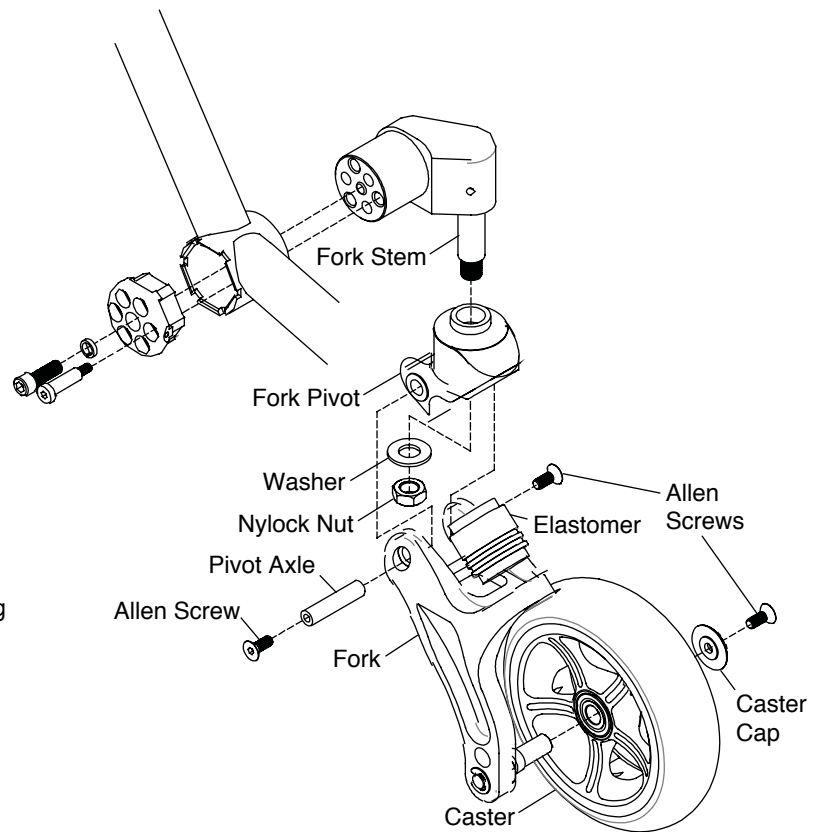


Figure 11-9
Replacing Single Sided Glide Forks



Relacing the Elastomer

Tools Needed:

- Two 1/8" Allen Wrench

1. Remove the Allen screws from the fork pivot and push out the pivot axle. See Figures 11-10 and 11-11.
2. Separate the two halves of the Glide fork to release the elastomer.
3. Install the new elastomer. See Figures 11-10 and 11-11.
4. Push firmly on the two halves of the Glide fork to facilitate reinstalling the Allen screws and pivot axle.

Figure 11-10
Replacing the Elastomer

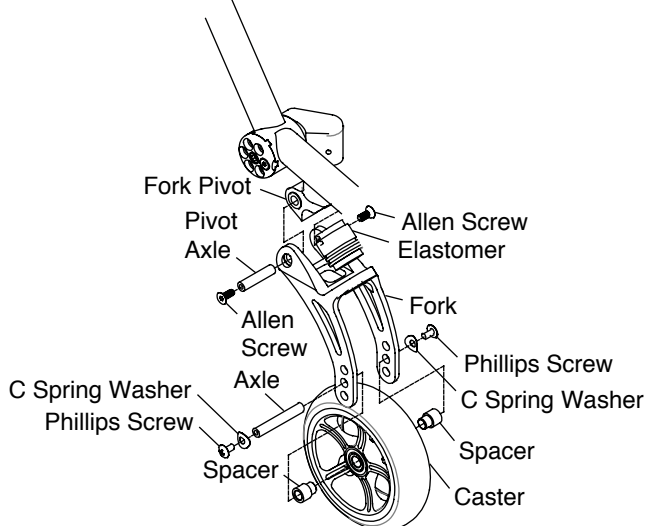
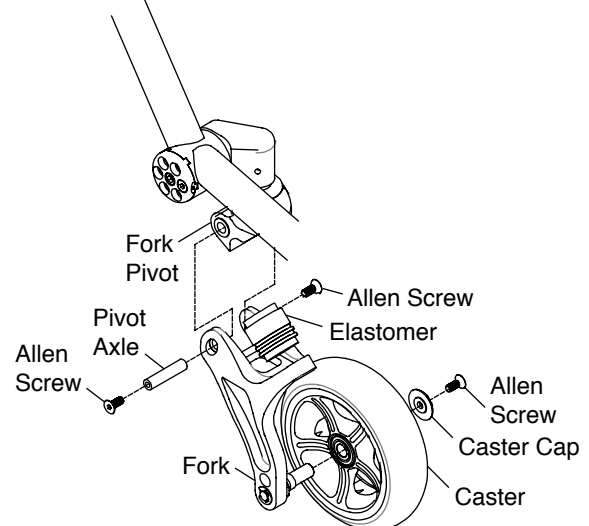


Figure 11-11
Replacing the Elastomer



CHAPTER 11: CASTERS, FORKS AND CASTER PIN LOCKS

ANGLE ADJUSTABLE SPEEDLOADER CASTER MOUNT

Adjusting the Angle

Tools Needed:

- 1/8" Allen Wrench
- 3/16" Allen Wrench
- Drafting Angle

1. Place the chair on a level surface.
2. Using the 1/8" Allen Wrench, remove the Shoulder bolt. See Figures 11-12 to 11-14.
3. Using the 3/16" Allen wrench, loosen but do not remove the Allen screw enough to allow the end cap tabs to slide out of the tab slots.
4. Using a drafting triangle or similar 90° angle tool as shown in Figure 11-15 and 11-16, rotate the fork until the flat edge of the fork is perpendicular to the level surface.
5. While holding the fork in place, and with the end cap tabs engaged in the tab slots, check to see if one of the six perimeter holes in the caster end cap aligns with one of the three threaded holes in the caster mount. If so, proceed to Step 7. If not, proceed to Step 6.
6. Pull the caster end cap away from the caster housing and rotate the caster end cap one-sixth turn and re-engage the caster end cap tabs in the tab slots. Again, check to see if one of the six perimeter holes in the caster end cap aligns with one of the three threaded holes in the caster mount. If so, proceed to Step 7. If not, repeat this Step 6 using the next combination of caster end cap tabs and tab slots.
7. Thread the Shoulder bolt through the two aligned parts and loosely tighten.

Note: There are six perimeter holes in the caster end cap and three threaded holes in the caster mount. These are designed to permit 17° of adjustment in 1° increments.

8. Securely tighten the center screw.
9. Securely tighten the outer screw to a torque of 60 inch/lbs.
10. Repeat Steps 2 through 9 for the opposite caster.

Note: The caster end caps on each side of the chair are mirror images. One is marked with a dot (right side) and one has no mark (left side). Once one side is squared, simply adjust the other side to be the mirror image, and it too will be square.

Note: If you are not able to square your casters and have changed the configuration of your chair, you may need to swap the right and left caster end caps to achieve the desired angle.

11. Recheck the forks to be certain they are still perpendicular to the level surface before riding.

CHAPTER 11: CASTERS, FORKS AND CASTER PIN LOCKS

Figure 11-12
Adjusting the Angle (Standard Fork)

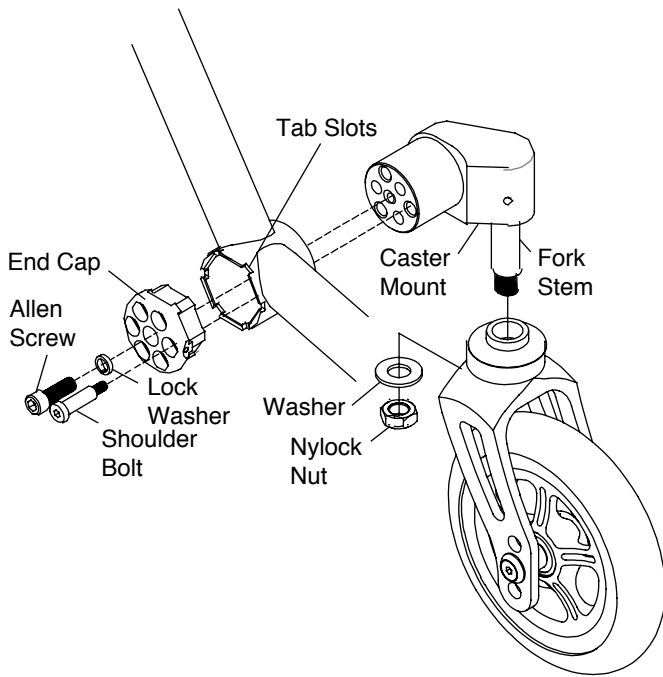


Figure 11-13
Adjusting the Angle (Glide Standard Fork)

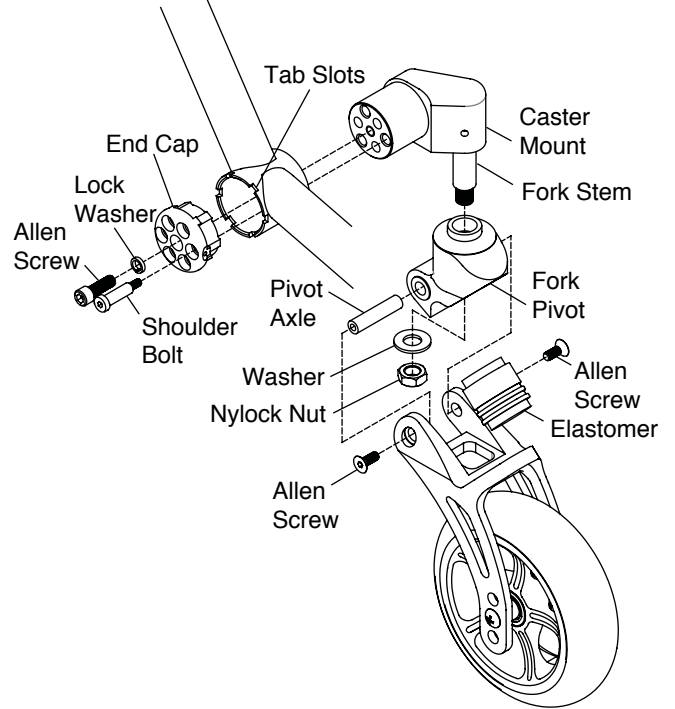
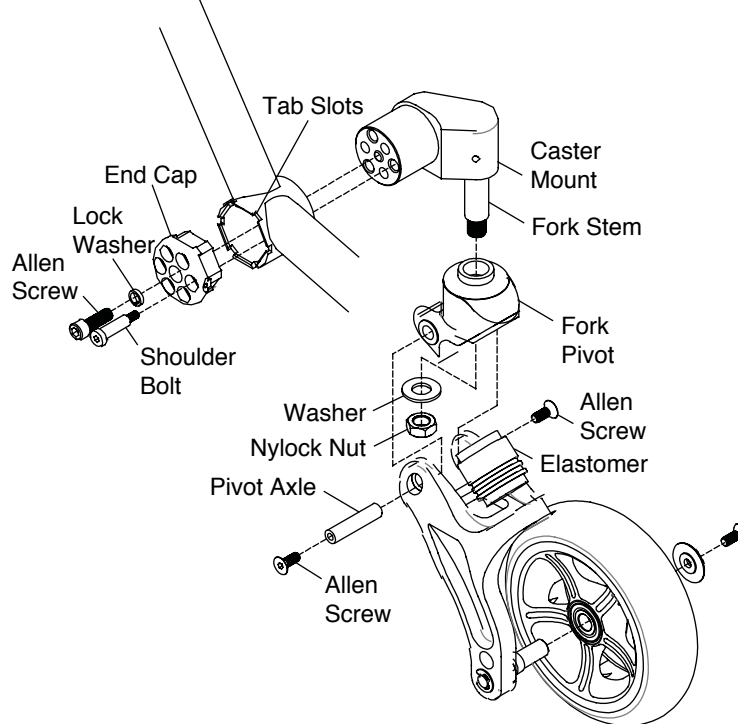


Figure 11-14
Adjusting the Angle (Glide Single-Sided Fork)



CHAPTER 11: CASTERS, FORKS AND CASTER PIN LOCKS

Figure 11-13
Standard Fork

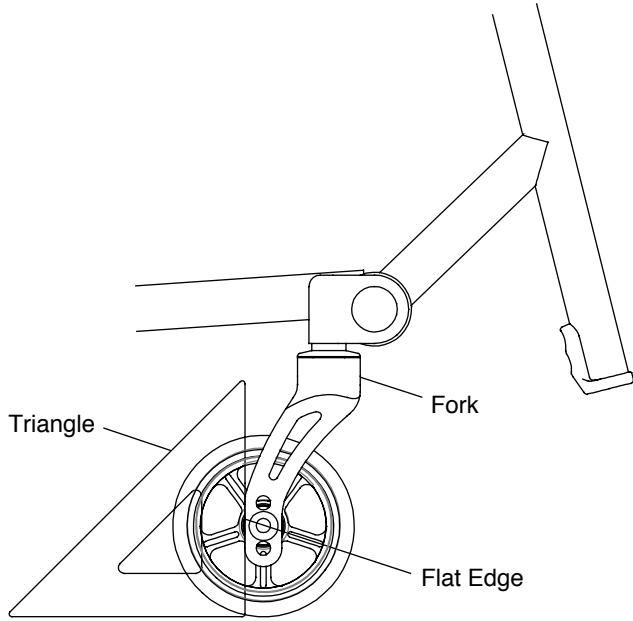
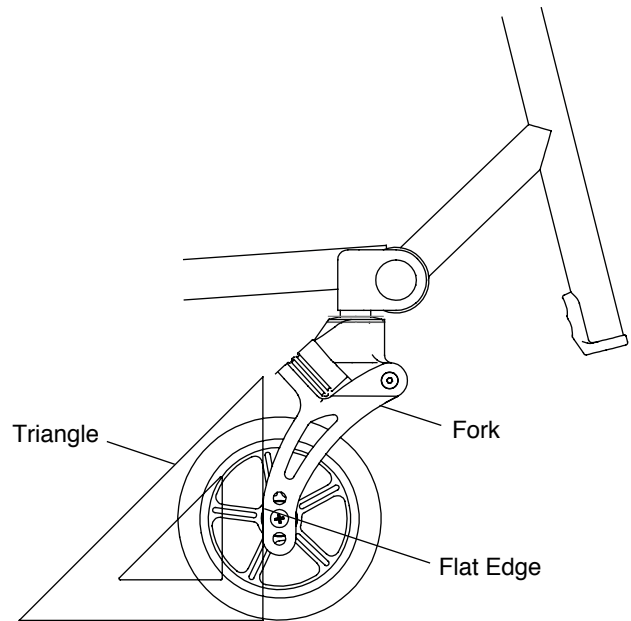


Figure 11-14
Glide Fork



⚠WARNING

Do not attempt any of the procedures in this chapter if the chair is occupied. *If you ignore this Warning, serious injury to the occupant will occur.*

Rear Wheel with Quick-Release Axle

Removing

1. Hold wheel securely at the hub. See Figure 12-1.
2. Depress the release button on the quick-release axle and slide the wheel and axle out of the axle sleeve.
3. Release the release button.

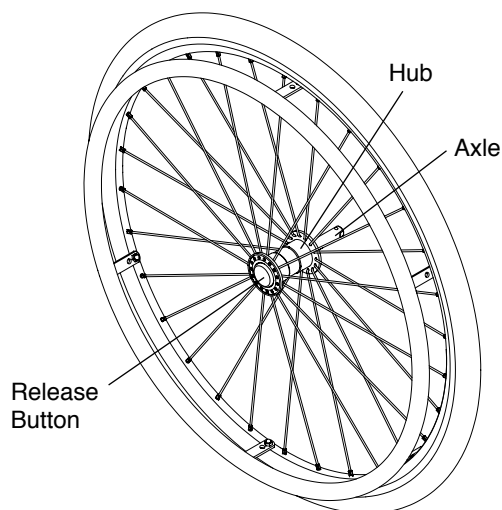
Replacing

⚠WARNING

Make sure the locking balls fully secure the quick-release axle inside the axle sleeve before operating the chair. *If you ignore this Warning, you may fall, tip over or lose control of the wheelchair and seriously injure yourself or others or damage the wheelchair.*

1. Hold wheel securely at the hub. See Figure 12-1.
2. Depress the release button on the quick-release axle, making sure the locking balls recess into the axle.
3. Insert the axle all the way into the axle sleeve.
4. Release the release button.
5. Pull firmly on the wheel (without depressing the release button) to make sure the wheel is locked securely in place.

Figure 12-1
Removing/Replacing the Rear Wheel



Rear Wheel with Quad Quick-Release Axle

Removing

1. Unlock the lever on the quad quick-release axle. See Figure 12-2.
2. Slide wheel and axle out of the axle sleeve.

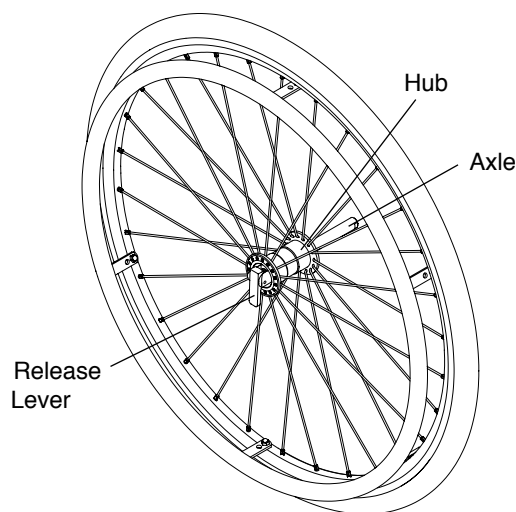
Replacing

⚠WARNING

Make sure the locking balls fully secure the quad quick-release axle inside the axle sleeve before operating the chair. *If you ignore this Warning, you may fall, tip over or lose control of the wheelchair and seriously injure yourself or others or damage the wheelchair.*

1. Hold the wheel securely at the hub. See Figure 12-2.
2. Unlock the lever on the quad quick-release axle.
3. Insert the axle all the way into axle sleeve.
4. Lock the lever on the quad quick-release axle.
5. Pull firmly on the wheel (without unlocking the lever) to make sure the wheel is locked securely in place.

Figure 12-2
Removing/Replacing the Rear Wheel
with Quad Quick-Release



CHAPTER 12: REAR WHEELS

Handrims

⚠ WARNING

You must have your handrims replaced by an authorized TiLite dealer or qualified technician. *If you ignore this Warning, you may seriously injure yourself or others or damage the wheelchair.*

Pneumatic Tires and Tubes

⚠ WARNING

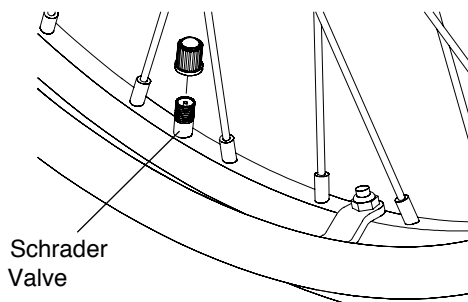
Fully deflate the tire before performing any disassembly procedures. Do not re-inflate the tire until all re-assembly is completed. *If you ignore this Warning, you may seriously injure yourself or others or damage the wheelchair.*

Tools Needed:

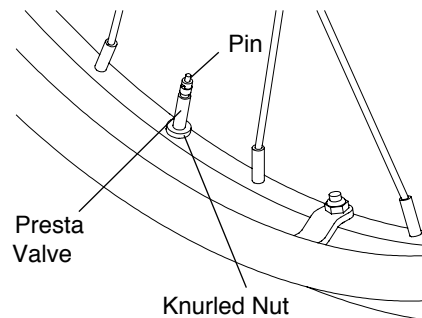
- Tire Lever

1. Remove the rear wheel from the chair.
2. Remove all air from the inner tube. If you have a Schrader valve (see Figure 12-3), remove the valve stem cap and release all of the air from the tube, by pressing down on the pin in the center of the valve stem. If you have a Presta valve (see Figure 12-4), remove the valve stem cap, unscrew, counter clockwise, the knurled nut on the valve stem and release all of the air from the tube by pressing down on the pin in the center of the valve stem.
3. Remove the tire and inner tube.
4. Make sure the rim strip is properly in place.
5. Install the new inner tube and wheel tire onto the wheel.
6. Make sure the tire is properly seated in the wheel rim, and inflate the tire to the correct PSI rating on the sidewall of the tire.
7. Reinstall the rear wheel on the chair.

**Figure 12-3
Schrader Valve**



**Figure 12-4
Presta Valve**



Solid Tires

⚠ WARNING

Replacement of solid tires requires specialized equipment. Therefore, if your solid tires need replacement, you must have this done by an authorized TiLite dealer or qualified technician. *If you ignore this Warning, you may seriously injure yourself or others or damage the wheelchair.*

Rear Wheel Spacers

Adjusting the Rear Wheel Spacing

⚠ WARNING

Make sure you use the same spacers on both sides of the chair. Do not use spacers exceeding a total of 3/4". If more than 3/4" of the axle sleeve is outside of the camber plug, the axle sleeve could disengage from the camber plug while you are using the chair. *If you ignore this Warning, you may fall, tip over or lose control of the wheelchair and seriously injure yourself or others or damage the wheelchair.*

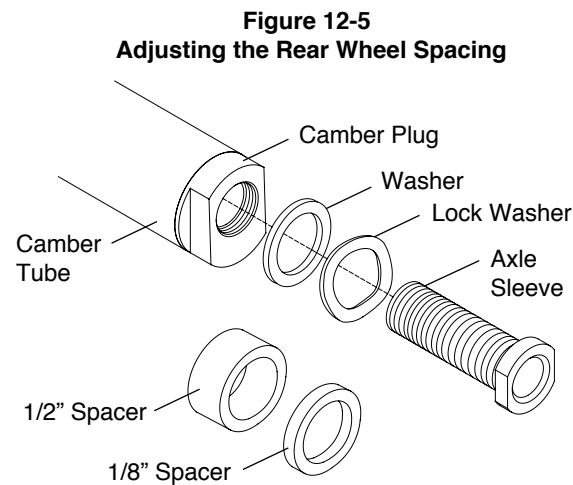
Tools needed:

- 7/8" Open End Wrench
- Two 3/4" Open End Torque Wrenches

1. Place one of the 7/8" open end wrench onto the camber plug and use the second 3/4" open end torque wrench to remove the axle sleeve. See Figure 12-5.

Note: If you have only one washer and do not have a lock washer, your rear wheel spacing package will include a lock washer. Always use a lock washer.

2. Add or remove the spacers you need to increase/ decrease your rear wheel spacing, keeping the two washers against the head of the axle sleeve.
3. After you have adjusted your rear wheel spacing, reinstall the axle sleeve in the camber plug and hand-tighten.
4. Using a torque wrench, tighten the axle sleeve to 230 inch-pounds.

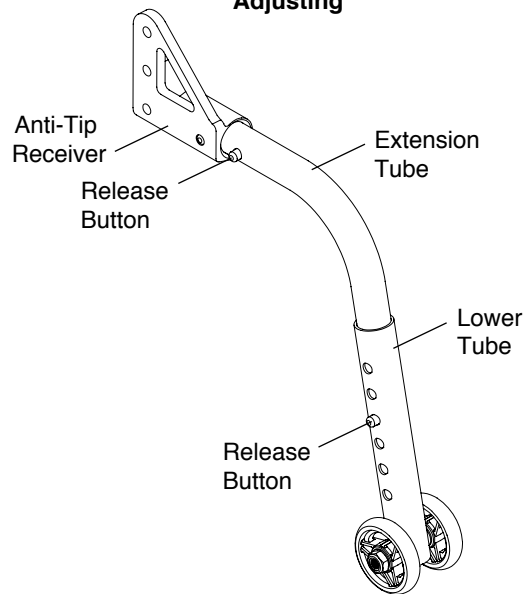


Anti-Tips

Adjusting

1. The bottom of the anti-tip wheels should be between 1-1/2" and 2" above the floor to ensure proper functionality. To adjust the height, press the two release buttons on the telescoping lower tube, then adjust the height of the lower tube. See Figure 13-1.
2. To rotate the anti-tips upward, press the two release buttons on the extension tube to release the extension tube and rotate upward until the release button locks in place on the opposite side of the anti-tip receiver.
3. To remove the anti-tip, press the release button on the extension tube and pull the extension tube out of the anti-tip receiver.

Figure 13-1
Adjusting



Mounting the Anti-Tip Receiver

⚠ WARNING

Only an authorized TiLite dealer or qualified technician should install the anti-tip receiver. *If you ignore this Warning, you may fall, tip over or lose control of the wheelchair and seriously injure yourself or others or damage the wheelchair.*

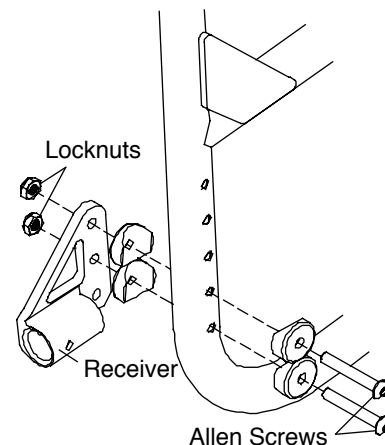
Note: Unless you ordered anti-tips when you originally ordered your TiLite wheelchair, you will need to order replacement Allen screws when ordering your anti-tips.

Tools Needed:

- 5/32" Allen Wrench
- 7/16" Open End Wrench

1. Remove the rear wheels and place the chair frame on a level surface.
2. Remove the two Allen screws that secure the axle plate to the frame. Carefully note the placement of the various washers and nuts (and, if applicable, stroller handle or armrest receivers). See Figure 13-2.
3. Install the anti-tip receiver as shown in Figure 13-2.
4. Insert the replacement Allen screws through the axle plate, the various washers, the frame, the anti-tip receiver and into the locknuts. Securely tighten. BOTH Allen screws must pass through ALL of these parts.
5. Reinstall the rear wheels.

Figure 13-2
Mounting the Anti-Tip Receiver



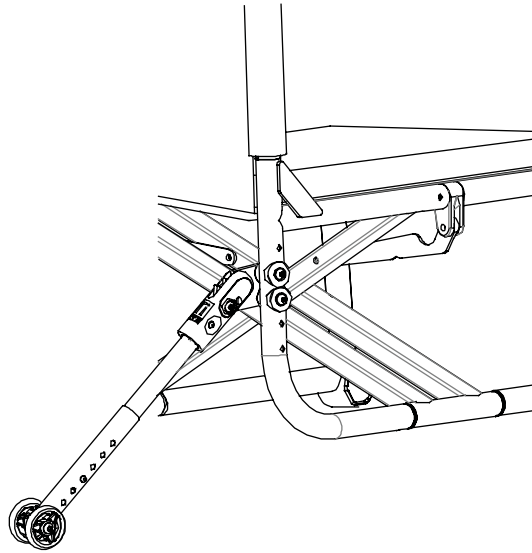
Note: The backrest extension may also be secured in place by these Allen screws.

CHAPTER 13: ANTI-TIPS

User-Friendly Anti-Tips

The configuration of the User Friendly Anti-Tip is shown in Figure 13-3.

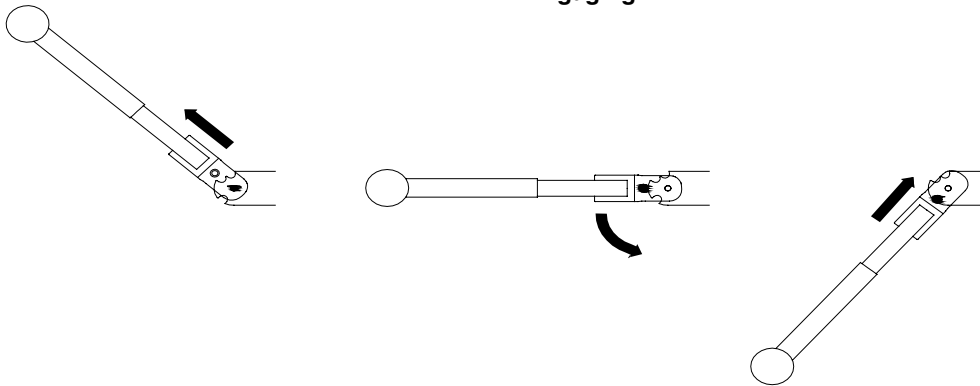
**Figure 13-3
User-Friendly Anti-Tip Configuration**



Engaging

To engage the User-Friendly Anti-Tip, grip the anti-tip receiver firmly and pull it rearward, away from the anti-tip mounting plate, and lower it until it re-engages in the mounting plate in the position shown in Figures 13-4.

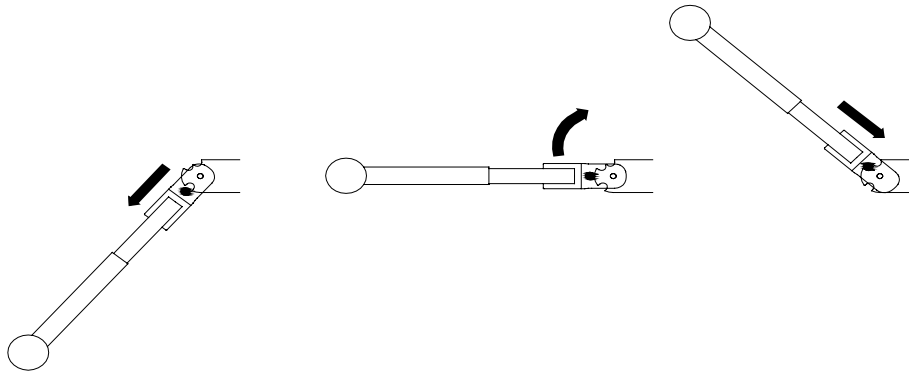
**Figure 13-4
Engaging**



Disengaging

To disengage the User-Friendly Anti-Tip, grip the anti-tip receiver firmly and pull it downward, away from the anti-tip mounting plate, and raise it until it re-engages in the mounting plate in the position shown in Figure 13-5.

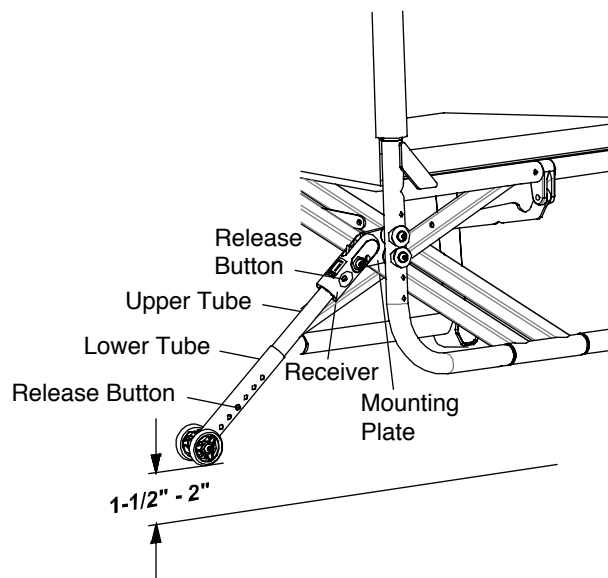
**Figure 13-5
Disengaging**



Adjusting

To adjust the height of the User-Friendly Anti-Tip, press the two release buttons on the telescoping lower tube and adjust the height of the lower tube until the wheels are within 1-1/2" to 2" off the ground. See Figure 13-6.

**Figure 13-6
Adjusting**



Removing

To remove the User-Friendly Anti-Tip extension tube, press the release buttons on the anti-tip receiver and pull the upper extension tube out of the anti-tip receiver. See Figure 13-6.

Mounting

⚠ WARNING

Only an authorized TiLite dealer or qualified technician should install the anti-tip receiver. *If you ignore this Warning, you may fall, tip over or lose control of the wheelchair and seriously injure yourself or others or damage the wheelchair.*

⚠ WARNING

Do NOT disassemble the anti-tip mounting assembly (see Figure 13-7). *If you ignore this Warning, you may fall, tip over or lose control of the wheelchair and seriously injure yourself or others or damage the wheelchair.*

Note: Unless you ordered User-Friendly Anti-Tips when you originally ordered your TiLite 2GX or Aero X, you will need to order replacement Allen screws when ordering User-Friendly Anti-Tips.

CHAPTER 13: ANTI-TIPS

Tools Needed:

- 5/32" Allen Wrench
- 7/16" Open End Wrench

1. Remove the rear wheels and place the frame on a level surface.
2. Do not disassemble the mounting plate from the anti-tip receiver. Align the mounting plate with two holes in the rear of the frame and install the new Allen screws through the various washers, frame and plate as shown in Figure 13-7.

⚠ WARNING

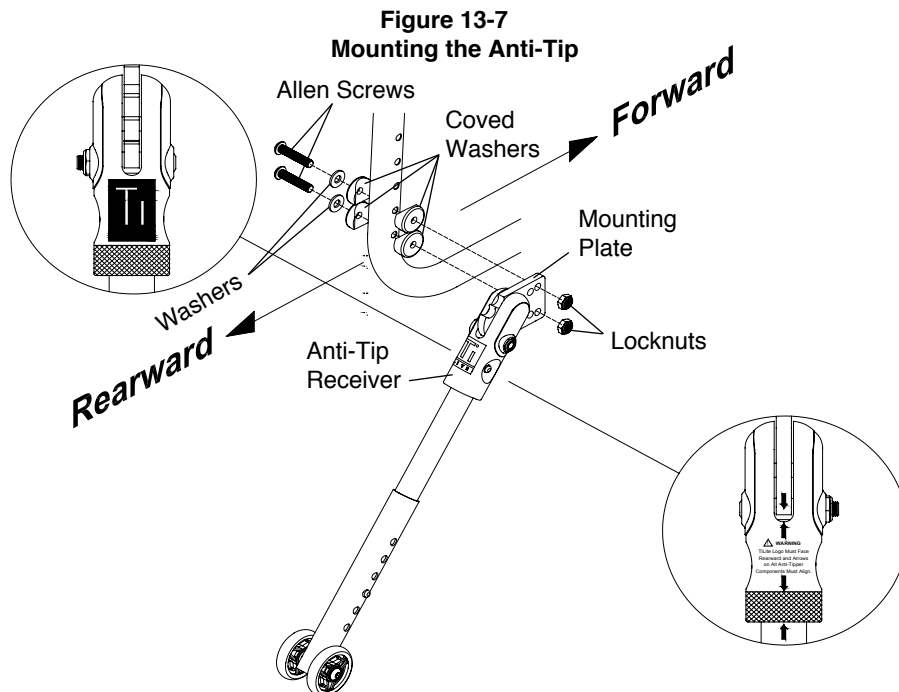
Make sure the TiLite logo is visible on the rearward side of the User-Friendly Anti-Tip receivers as shown in Figure 13-7 and the white arrows are all aligned on the opposite (forward) side of the anti-tip components as shown in Figure 13-7. *If you ignore this Warning, you may fall, tip over or lose control of the wheelchair and seriously injure yourself or others or damage the wheelchair.*

3. Securely tighten all Allen screws and locknuts.
4. Reinstall the rear wheels.
5. With the wheelchair standing upright on a level surface, engage the anti-tip as described under "Engaging the Anti-Tip" on page 13-2.
6. Adjust the height of the anti-tip as described under "Adjusting the Anti-Tip" on page 13-3.

Note: The backrest extension may also be secured in place by these Allen screws.

⚠ WARNING

Before sitting in the chair, make sure the anti-tips are operating properly. To do this, place the unoccupied chair on a level surface, engage the anti-tips and tip the chair backward until the anti-tips are supporting the weight of the chair. Apply sufficient pressure to ensure that the anti-tips are operating properly. *If you ignore this Warning, you may fall, tip over or lose control of the wheelchair and seriously injure yourself or others or damage the wheelchair.*





tilite.com

P 800.545.2266 | 509.586.6117
F 866.586.2413 | 509.585.8703

2701 West Court Street, Pasco, Washington 99301